

ADC12130/ADC12132/ADC12138

Self-Calibrating 12-Bit Plus Sign Serial I/O A/D Converters with MUX and Sample/Hold

General Description

NOTE: Some device/package combinations are obsolete and are described and shown here for reference only. See our web site for product availability.

The ADC12130, ADC12132 and ADC12138 are 12-bit plus sign successive approximation Analog-to-Digital converters with serial I/O and configurable input multiplexer. The ADC12132 and ADC12138 have a 2 and an 8 channel multiplexer, respectively. The differential multiplexer outputs and ADC inputs are available on the MUXOUT1, MUXOUT2, A/DIN1 and A/DIN2 pins. The ADC12130 has a two channel multiplexer with the multiplexer outputs and ADC inputs internally connected. The ADC12130 family is tested and specified with a 5 MHz clock. On request, these ADCs go through a self calibration process that adjusts linearity, zero and full-scale errors to typically less than ± 1 LSB each.

The analog inputs can be configured to operate in various combinations of single-ended, differential, or pseudo-differential modes. A fully differential unipolar analog input range (0V to +5V) can be accommodated with a single +5V supply. In the differential modes, valid outputs are obtained even when the negative inputs are greater than the positive because of the 12-bit plus sign output data format.

The serial I/O is configured to comply with NSC MICROWIRE™. For voltage references, see the LM4040, LM4050 or LM4041.

Features

- Serial I/O (MICROWIRE, SPI and QSPI Compatible)
- Power down mode
- Programmable acquisition time
- Variable digital output word length and format
- No zero or full scale adjustment required
- 0V to 5V analog input range with single 5V power supply

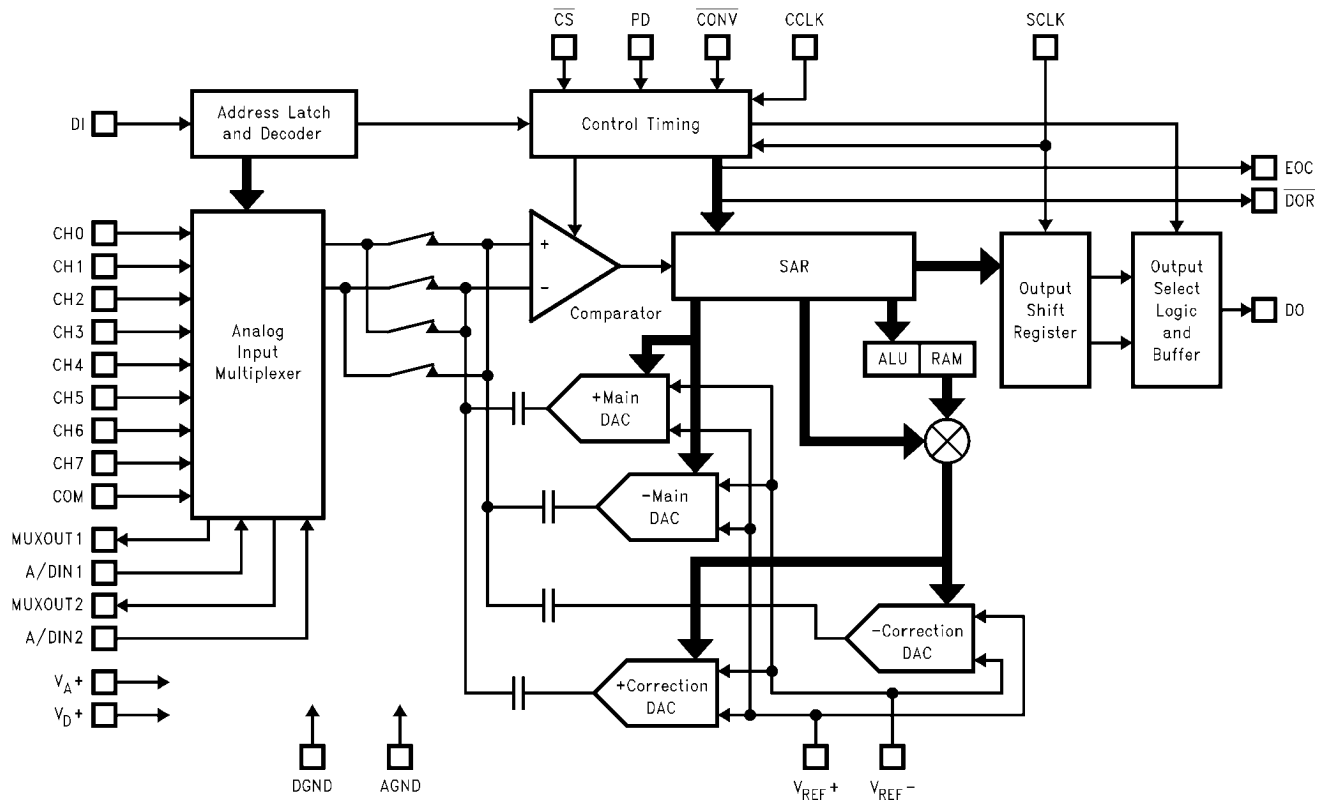
Key Specifications

Resolution	12-bit plus sign
■ 12-Bit plus sign conversion time	8.8 μ s (max)
■ 12-Bit plus sign throughput time	14 μ s (max)
■ Integral Linearity Error	± 2 LSB (max)
■ Single Supply	3.3V or 5V $\pm 10\%$
■ Power Consumption	
+3.3V	15 mW (max)
+3.3V power down	40 μ W (typ)
+5V	33 mW (max)
+5V power down	100 μ W (typ)

Applications

- Pen-based computers
- Digitizers
- Global positioning systems

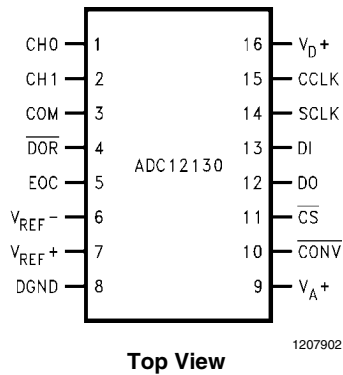
ADC12138 Simplified Block Diagram



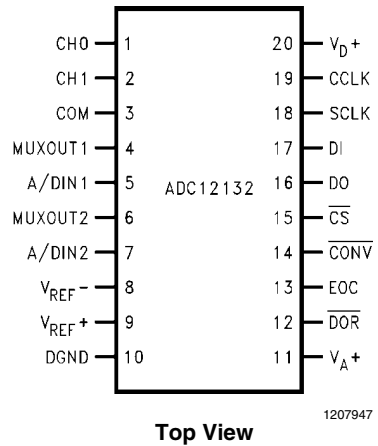
1207901

Connection Diagrams

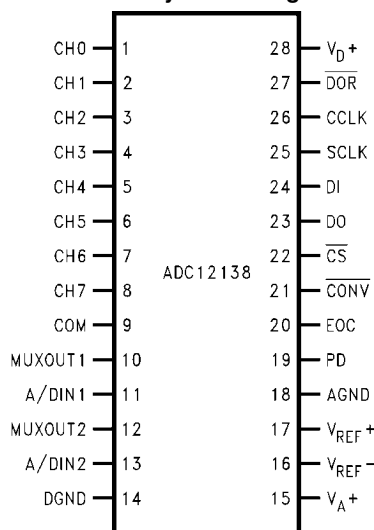
16-Pin Dual-In-Line and Wide Body SO Packages



20-Pin SSOP Package



28-Pin Dual-In-Line, SSOP and Wide Body SO Packages



1207903

Top View

Ordering Information

Industrial Temperature Range $-40^{\circ}\text{C} \leq T_A \leq +85^{\circ}\text{C}$	NS Package Number
ADC12130CIN	N16E, Dual-In-Line
ADC12130CIWM	M16B, Wide Body SO
ADC12130CIWMX	M16B, Wide Body SO - Tape & Reel
ADC12132CIMSA	MSA20, SSOP
ADC12132CIMSAX	MSA20, SSOP - Tape & Reel
ADC12138CIN	N28B, Dual-In-Line
ADC12138CIWM	M28B
ADC12138CIWMX	M28B - Tape & Reel
ADC12138CIMSA	MSA28, SSOP
ADC12138CIMSAX	MSA28, SSOP - Tape & Reel

Some of these product/package combinations are obsolete and are shown here for reference only. Check the National web site for availability.

Pin Descriptions

Pin Name	Pin Description
CH0 thru CH7	Analog Inputs to the MUX (multiplexer). A channel input is selected by the address information at the DI pin, which is loaded at the rising edge of SCLK into the address register (see <i>Table 2</i> and <i>Table 3</i>). The voltage applied to these inputs should not exceed V_{A+} or go below V_{A-} or below GND. Exceeding this range on an unselected channel may corrupt the reading of a selected channel.
COM	Analog input pin that is used as a pseudo ground when the analog multiplexer is single-ended.
MUXOUT1 MUXOUT2	Multiplexer Output pins. If the multiplexer is used, these pins should be connected to the A/DIN pins, directly or through an amplifier and/of filter.
A/DIN1 A/DIN2	Converter Input pins. MUXOUT1 is usually tied to A/DIN1. MUXOUT2 is usually tied to A/DIN2. If external circuitry is placed between MUXOUT1 and A/DIN1, or MUXOUT2 and A/DIN2, it may be necessary to protect these pins against voltage overload. The voltage at these pins should not exceed V_{A+} or go below AGND (see <i>Figure 6</i>).

Pin Name	Pin Description
DO	Data Output pin. This pin is an active push/pull output when \overline{CS} is low. When \overline{CS} is high, this output is TRI-STATE®. The conversion result (DB0–DB12) and converter status data are clocked out at the falling edge of SCLK on this pin. The word length and format of this result can vary (see <i>Table 1</i>). The word length and format are controlled by the data shifted into the multiplexer address and mode select register (see <i>Table 4</i>).
DI	Serial Data Input pin. The data applied to this pin is shifted at the rising edge of SCLK into the multiplexer address and mode select register. <i>Table 2</i> through <i>Table 4</i> show the assignment of the multiplexer address and the mode select data.
EOC	This pin is an active push/pull output which indicates the status of the ADC12130/2/8. A logic low on this pin indicates that the ADC is busy with a conversion, Auto Calibration, Auto Zero or power down cycle. The rising edge of EOC signals the end of one of these cycles
\overline{CONV}	A logic low is required at this pin to program any mode or to change the ADC's configuration as listed in Mode Programming (<i>Table 4</i>). When this pin is high, the ADC is placed in the read data only mode. While in the read data only mode, bringing \overline{CS} low and pulsing SCLK will only clock out the data stored in the ADCs output shift register. The data at DI will be ignored. A new conversion will not be started and the ADC will remain in the mode and/or configuration previously programmed. Read data only cannot be performed while a conversion, Auto Cal or Auto Zero are in progress.
\overline{CS}	Chip Select input pin. When a logic low is applied to this pin, the rising edge of SCLK shifts the data at the DI input into the address register and brings DO out of TRI-STATE. With \overline{CS} low, the falling edge of SCLK shifts the data resulting from the previous ADC conversion out at the DO output, with the exception of the first bit of data. When \overline{CS} is low continuously, the first bit of the data is clocked out on the rising edge of EOC (end of conversion). When \overline{CS} is toggled, the falling edge of \overline{CS} always clocks out the first bit of data. \overline{CS} should be brought low while SCLK is low. The falling edge of \overline{CS} interrupts a conversion in progress and starts the sequence for a new conversion. When \overline{CS} is brought low during a conversion, that conversion is prematurely terminated and the data in the output latches may be corrupted. Therefore, when \overline{CS} is brought low during a conversion in progress, the data output at that time should be ignored. \overline{CS} may also be left continuously low. In this case, it is imperative that the correct number of SCLK pulses be applied to the ADC in order to remain synchronous. After the ADC supply power is applied, the device expects to see 13 clock pulses for each I/O sequence. The number of clock pulses the ADC expects is the same as the digital output word length. This word length can be modified by the data shifted in at the DO pin. <i>Table 4</i> details the data required.
DOR	Data Output Ready pin. This pin is an active push/pull output which is low when the conversion result is being shifted out and goes high to signal that all the data has been shifted out.
SCLK	Serial Data Clock input. The clock applied to this input controls the rate at which the serial data exchange occurs. The rising edge loads the information at the DI pin into the multiplexer address and mode select shift register. This address controls which channel of the analog input multiplexer (MUX) is selected and the mode of operation for the ADC. With \overline{CS} low, the falling edge of SCLK shifts the data resulting from the previous ADC conversion out on DO, with the exception of the first bit of data. When \overline{CS} is low continuously, the first bit of the data is clocked out on the rising edge of EOC (end of conversion). When \overline{CS} is toggled, the falling edge of \overline{CS} always clocks out the first bit of data. \overline{CS} should be brought low when SCLK is low. The rise and fall times of the clock edges should not exceed 1 μ s.
CCLK	Conversion Clock input. The clock applied to this input controls the successive approximation conversion time interval and the acquisition time. The rise and fall times of the clock edges should not exceed 1 μ s.
V_{REF+}	Positive analog voltage reference input. In order to maintain accuracy, the voltage range of V_{REF} ($V_{REF} = V_{REF+} + - V_{REF-}$) is 1.0 V_{DC} to 5.0 V_{DC} and the voltage at V_{REF+} cannot exceed V_{A+} . See <i>Figure 5</i> for recommended bypassing.
V_{REF-}	The negative analog voltage reference input. In order to maintain accuracy, the voltage at this pin must not go below GND or exceed V_{REF+} . (See <i>Figure 5</i>).
PD	Power Down pin. When PD is high the ADC is powered down; when PD is low the ADC is powered up, or active. The ADC takes a maximum of 700 μ s to power up after the command is given.
V_{A+} V_{D+}	These are the analog and digital power supply pins. V_{A+} and V_{D+} are not connected together on the chip. These pins should be tied to the same supply voltage and bypassed separately (see <i>Figure 5</i>). The operating voltage range of V_{A+} and V_{D+} is 3.0 V_{DC} to 5.5 V_{DC} .
DGND	The digital ground pin (see <i>Figure 5</i>).
AGND	The analog ground pin (see <i>Figure 5</i>).

Absolute Maximum Ratings

(Notes 1, 2)

If Military/Aerospace specified devices are required, please contact the National Semiconductor Sales Office/ Distributors for availability and specifications.

Positive Supply Voltage ($V^+ = V_{A^+} = V_{D^+}$)	6.5V
Voltage at Inputs and Outputs except CH0–CH7 and COM	–0.3V to $V^+ + 0.3V$
Voltage at Analog Inputs CH0–CH7 and COM	GND –5V to $V^+ + 5V$
$ V_{A^+} - V_{D^+} $	300 mV
Input Current at Any Pin (Note 3)	±30 mA
Package Input Current (Note 3)	±120 mA
Package Dissipation at $T_A = 25^\circ\text{C}$ (Note 4)	500 mW
ESD Susceptibility (Note 5) Human Body Model	1500V
Soldering Information N Packages (10 seconds)	260°C
SO Package (Note 6): Vapor Phase (60 seconds)	215°C
Infrared (15 seconds)	220°C
Storage Temperature	–65°C to +150°C

Operating Ratings (Notes 1, 2)

Operating Temperature Range	$T_{\text{MIN}} \leq T_A \leq T_{\text{MAX}}$ –40°C $\leq T_A \leq$ +85°C
Supply Voltage ($V^+ = V_{A^+} = V_{D^+}$)	+3.0V to +5.5V
$ V_{A^+} - V_{D^+} $	≤ 100 mV
V_{REF^+}	0V to V_{A^+}
V_{REF^-}	0V to ($V_{\text{REF}^+} - 1V$)
V_{REF} ($V_{\text{REF}^+} - V_{\text{REF}^-}$)	1V to V_{A^+}
V_{REF} Common Mode Voltage Range [$(V_{\text{REF}^+}) - (V_{\text{REF}^-})$] / 2	0.1 V_{A^+} to 0.6 V_{A^+}
A/DIN1, A/DIN2, MUXOUT1 and MUXOUT2 Voltage Range	0V to V_{A^+}
ADC IN Common Mode Voltage Range [$(V_{\text{IN}^+}) - (V_{\text{IN}^-})$] / 2	0V to V_{A^+}

Package Thermal Resistance

Part Number	Thermal Resistance (θ_{JA})
ADC12130CIN	53°C/W
ADC12130CIWM	70°C/W
ADC12132CIMSA	134°C/W
ADC12132CIWM	64°C/W
ADC121038CIN	40°C/W
ADC121038CIMSA	97°C/W
ADC12138CIWM	50°C/W

Some of these product/package combinations are obsolete and are shown here for reference only. Check the National web site for availability.

Converter Electrical Characteristics

The following specifications apply for ($V^+ = V_{A^+} = V_{D^+} = +5V$, $V_{\text{REF}^+} = +4.096V$, and fully differential input with fixed 2.048V common-mode voltage) or ($V^+ = V_{A^+} = V_{D^+} = 3.3V$, $V_{\text{REF}^+} = 2.5V$ and fully-differential input with fixed 1.250V common-mode voltage), $V_{\text{REF}^-} = 0V$, 12-bit + sign conversion mode, source impedance for analog inputs, V_{REF^-} and $V_{\text{REF}^+} \leq 25\Omega$, $f_{\text{CK}} = f_{\text{SK}} = 5$ MHz, and 10 (t_{CK}) acquisition time unless otherwise specified. **Boldface limits apply for $T_A = T_J = T_{\text{MIN}}$ to T_{MAX}** ; all other limits $T_A = T_J = 25^\circ\text{C}$. (Notes 7, 8, 9)

Symbol	Parameter	Conditions	Typical (Note 10)	Limits (Note 11)	Units (Limits)
STATIC CONVERTER CHARACTERISTICS					
	Resolution with No Missing Codes			12 + sign	Bits (min)
ILE	Integral Linearity Error	After Auto Cal (Notes 12, 18)	±1/2	±2	LSB (max)
DNL	Differential Non-Linearity	After Auto Cal		±1.5	LSB (max)
	Positive Full-Scale Error	After Auto Cal (Notes 12, 18)	±1/2	±3.0	LSB (max)
	Negative Full-Scale Error	After Auto Cal (Notes 12, 18)	±1/2	±3.0	LSB (max)
	Offset Error	After Auto Cal (Notes 5, 18) $V_{\text{IN}(+)} = V_{\text{IN}(-)} = 2.048V$	±1/2	±2	LSB (max)
	DC Common Mode Error	After Auto Cal (Note 15)	±2		LSB (max)
TUE	Total Unadjusted Error	After Auto Cal (Notes 12, 13, 14)	±1		LSB
	Multiplexer Chan-to-Chan Matching	$V^+ = +5V \pm 10\%$, $V_{\text{REF}} = +4.096V$	±0.05		LSB
	Power Supply Sensitivity				
	Offset Error		±0.5		LSB
	+ Full-Scale Error		±0.5		LSB
	– Full-Scale Error		±0.5		LSB
	Integral Linearity Error		±0.5		LSB

Symbol	Parameter	Conditions	Typical (Note 10)	Limits (Note 11)	Units (Limits)
UNIPOLAR DYNAMIC CONVERTER CHARACTERISTICS					
S/(N+D)	Signal-to-Noise Plus Distortion Ratio	$f_{IN} = 1 \text{ kHz}, V_{IN} = 5 V_{PP}, V_{REF+} = 5.0V$	69.4		dB
		$f_{IN} = 20 \text{ kHz}, V_{IN} = 5 V_{PP}, V_{REF+} = 5.0V$	68.3		dB
		$f_{IN} = 40 \text{ kHz}, V_{IN} = 5 V_{PP}, V_{REF+} = 5.0V$	65.7		dB
	-3 dB Full Power Bandwidth	$V_{IN} = 5 V_{PP}$, where S/(N+D) drops 3 dB	31		kHz
DIFFERENTIAL DYNAMIC CONVERTER CHARACTERISTICS					
S/(N+D)	Signal-to-Noise Plus Distortion Ratio	$f_{IN} = 1 \text{ kHz}, V_{IN} = \pm 5V, V_{REF+} = 5.0V$	77.0		dB
		$f_{IN} = 20 \text{ kHz}, V_{IN} = \pm 5V, V_{REF+} = 5.0V$	73.9		dB
		$f_{IN} = 40 \text{ kHz}, V_{IN} = \pm 5V, V_{REF+} = 5.0V$	67.0		dB
	-3 dB Full Power Bandwidth	$V_{IN} = \pm 5V$, where S/(N+D) drops 3 dB	40		kHz
REFERENCE INPUT, ANALOG INPUTS AND MULTIPLEXER CHARACTERISTICS					
C_{REF}	Reference Input Capacitance		85		pF
$C_{A/D}$	A/DIN1 and A/DIN2 Analog Input Capacitance		75		pF
	A/DIN1 and A/DIN2 Analog Input Leakage Current	$V_{IN} = +5.0V$ or $V_{IN} = 0V$	± 0.1		μA
	CH0–CH7 and COM Input Voltage		GND – 0.05 (V_{A+}) + 0.05		V (min) V (max)
C_{CH}	CH0–CH7 and COM Input Capacitance		10		pF
C_{MUXOUT}	MUX Output Capacitance		20		pF
	Off Channel Leakage (Note 16) CH0–CH7 and COM Pins	On Channel = 5V and Off Channel = 0V	-0.01		μA
		On Channel = 0V and Off Channel = 5V	0.01		μA
	On Channel Leakage (Note 16) CH0–CH7 and COM Pins	On Channel = 5V and Off Channel = 0V	0.01		μA
		On Channel = 0V and Off Channel = 5V	-0.01		μA
	MUXOUT1 and MUXOUT2 Leakage Current	$V_{MUXOUT} = 5.0V$ or $V_{MUXOUT} = 0V$	0.01		μA
R_{ON}	MUX On Resistance	$V_{IN} = 2.5V$ and $V_{MUXOUT} = 2.4V$	850	1900	Ω (max)
	R_{ON} Matching Channel to Channel	$V_{IN} = 2.5V$ and $V_{MUXOUT} = 2.4V$	5		%
	Channel-to-Channel Crosstalk	$V_{IN} = 5 V_{PP}, f_{IN} = 40 \text{ kHz}$	-72		dB
	MUX Bandwidth		90		kHz

DC and Logic Electrical Characteristics

The following specifications apply for ($V^+ = V_{A^+} = V_{D^+} = +5V$, $V_{REF^+} = +4.096V$, and fully-differential input with fixed 2.048V common-mode voltage) or ($V^+ = V_{A^+} = V_{D^+} = +3.3V$, $V_{REF^+} = +2.5V$ and fully-differential input with fixed 1.250V common-mode voltage), $V_{REF^-} = 0V$, 12-bit + sign conversion mode, source impedance for analog inputs, V_{REF^-} and $V_{REF^+} \leq 25\Omega$, $f_{CK} = f_{SK} = 5$ MHz, and 10 (t_{CK}) acquisition time unless otherwise specified. **Boldface limits apply for $T_A = T_J = T_{MIN}$ to T_{MAX}** ; all other limits $T_A = T_J = 25^\circ C$. (Notes 7, 8, 9)

Symbol	Parameter	Conditions	Typical (Note 10)	$V^+ = V_{A^+} =$ $V_{D^+} = 3.3V$ Limits (Note 11)	$V^+ = V_{A^+} =$ $V_{D^+} = 5V$ Limits (Note 11)	Units (Limits)
CCLK, \overline{CS}, \overline{CONV}, DI, PD AND SCLK INPUT CHARACTERISTICS						
$V_{IN(1)}$	Logical "1" Input Voltage	$V_{A^+} = V_{D^+} = V^+ + 10\%$		2.0	2.0	V (min)
$V_{IN(0)}$	Logical "0" Input Voltage	$V_{A^+} = V_{D^+} = V^+ - 10\%$		0.8	0.8	V (max)
$I_{IN(1)}$	Logical "1" Input Current	$V_{IN} = V^+$	0.005	1.0	1.0	μA (max)
$I_{IN(0)}$	Logical "0" Input Current	$V_{IN} = 0V$	-0.005	-1.0	-1.0	μA (min)
DO, EOC AND \overline{DOR} DIGITAL OUTPUT CHARACTERISTICS						
$V_{OUT(1)}$	Logical "1" Output Voltage	$V_{A^+} = V_{D^+} = V^+ - 10\%$, $I_{OUT} = -360 \mu A$		2.4	2.4	V (min)
		$V_{A^+} = V_{D^+} = V^+ - 10\%$, $I_{OUT} = -10 \mu A$		2.9	4.25	V (min)
$V_{OUT(0)}$	Logical "0" Output Voltage	$V_{A^+} = V_{D^+} = V^+ - 10\%$ $I_{OUT} = 1.6 mA$		0.4	0.4	V (max)
I_{OUT}	TRI-STATE Output Current	$V_{OUT} = 0V$ $V_{OUT} = V^+$	-0.1 -0.1	-3.0 3.0	-3.0 3.0	μA (max) μA (max)
$+I_{SC}$	Output Short Circuit Source Current	$V_{OUT} = 0V$	-14			mA
$-I_{SC}$	Output Short Circuit Sink Current	$V_{OUT} = V_{D^+}$	16			mA
POWER SUPPLY CHARACTERISTICS						
I_{D^+}	Digital Supply Current	Awake (Active)		1.5	2.5	mA (max)
		$\overline{CS} = HIGH$, Powered Down, CCLK on	600			μA
		$\overline{CS} = HIGH$, Powered Down, CCLK off	20			μA
I_{A^+}	Positive Analog Supply Current	Awake (Active)		3.0	4.0	mA (max)
		$\overline{CS} = HIGH$, Powered Down, CCLK on	10			μA
		$\overline{CS} = HIGH$, Powered Down, CCLK off	0.1			μA
I_{REF}	Reference Input Current	$\overline{CS} = HIGH$, Powered Down, CCLK on	70			μA
		$\overline{CS} = HIGH$, Powered Down, CCLK off	0.1			μA

AC Electrical Characteristics

The following specifications apply for ($V^+ = V_{A^+} = V_{D^+} = +5V$, $V_{REF^+} = +4.096V$, and fully-differential input with fixed 2.048V common-mode voltage) or ($V^+ = V_{A^+} = V_{D^+} = +3.3V$, $V_{REF^+} = +2.5V$ and fully-differential input with fixed 1.250V common-mode voltage), $V_{REF^-} = 0V$, 12-bit + sign conversion mode, source impedance for analog inputs, V_{REF^-} and $V_{REF^+} \leq 25\Omega$, $f_{CK} = f_{SK} = 5$ MHz, and 10 (t_{CK}) acquisition time unless otherwise specified. **Boldface limits apply for $T_A = T_J = T_{MIN}$ to T_{MAX}** ; all other limits $T_A = T_J = 25^\circ C$. (Note 17)

Symbol	Parameter	Conditions	Typical (Note 10)	Limits (Note 11)	Units (Limits)
f_{CK}	Conversion Clock (CCLK) Frequency		10	5	MHz (max)
			1		MHz (min)
f_{SK}	Serial Data Clock SCLK Frequency		10	5	MHz (max)
			0		Hz (min)
	Conversion Clock Duty Cycle			40	% (min)
				60	% (max)
	Serial Data Clock Duty Cycle			40	% (min)
				60	% (max)
t_C	Conversion Time	12-Bit + Sign or 12-Bit	44(t_{CK})	44(t_{CK})	(max)
				8.8	μs (max)
t_A	Acquisition Time (Note 19)	6 Cycles Programmed	6(t_{CK})	6(t_{CK})	(min)
				7(t_{CK})	(max)
				1.2	μs (min)
				1.4	μs (max)
		10 Cycles Programmed	10(t_{CK})	10(t_{CK})	(min)
				11(t_{CK})	(max)
				2.0	μs (min)
				2.2	μs (max)
		18 Cycles Programmed	18(t_{CK})	18(t_{CK})	(min)
				19(t_{CK})	(max)
				3.6	μs (min)
				3.8	μs (max)
34 Cycles Programmed	34(t_{CK})	34(t_{CK})	(min)		
		35(t_{CK})	(max)		
		6.8	μs (min)		
		7.0	μs (max)		
t_{CAL}	Self-Calibration Time		4944(t_{CK})	4944(t_{CK})	(max)
				988.8	μs (max)
t_{AZ}	Auto Zero Time		76(t_{CK})	76(t_{CK})	(max)
				15.2	μs (max)
t_{SYNC}	Self-Calibration or Auto Zero Synchronization Time from DOR		2(t_{CK})	2(t_{CK})	(min)
				3(t_{CK})	(max)
				0.40	μs (min)
				0.60	μs (max)
t_{DOR}	DOR High Time when \overline{CS} is Low Continuously for Read Data and Software Power Up/Down		9(t_{SK})	9(t_{SK})	(max)
				1.8	μs (max)
t_{CONV}	\overline{CONV} Valid Data Time		8(t_{SK})	8(t_{SK})	(max)
				1.6	μs (max)

AC Electrical Characteristics

The following specifications apply for ($V^+ = V_{A^+} = V_{D^+} = +5V$, $V_{REF^+} = +4.096V$, and fully-differential input with fixed 2.048V common-mode voltage) or ($V^+ = V_{A^+} = V_{D^+} = +3.3V$, $V_{REF^+} = +2.5V$ and fully-differential input with fixed 1.250V common-mode voltage), $V_{REF^-} = 0V$, 12-bit + sign conversion mode, source impedance for analog inputs, V_{REF^-} and $V_{REF^+} \leq 25\Omega$, $f_{CK} = f_{SK} = 5$ MHz, and 10 (t_{CK}) acquisition time unless otherwise specified. **Boldface limits apply for $T_A = T_J = T_{MIN}$ to T_{MAX}** ; all other limits $T_A = T_J = 25^\circ C$. (Note 17) (Continued)

Symbol	Parameter	Conditions	Typical (Note 10)	Limits (Note 11)	Units (Limits)
t_{HPU}	Hardware Power-Up Time, Time from PD Falling Edge to EOC Rising Edge		500	700	μs (max)
t_{SPU}	Software Power-Up Time, Time from Serial Data Clock Falling Edge to EOC Rising Edge		500	700	μs (max)
t_{ACC}	Access Time Delay from \overline{CS} Falling Edge to DO Data Valid		25	60	ns (max)
t_{SET-UP}	Set-Up Time of \overline{CS} Falling Edge to Serial Data Clock Rising Edge			50	ns (min)
t_{DELAY}	Delay from SCLK Falling Edge to \overline{CS} Falling Edge		0	5	ns (min)
t_{1H}, t_{0H}	Delay from \overline{CS} Rising Edge to DO TRI-STATE	$R_L = 3k, C_L = 100 pF$	70	100	ns (max)
t_{HDI}	DI Hold Time from Serial Data Clock Rising Edge		5	15	ns (max)
t_{SDI}	DI Set-Up Time from Serial Data Clock Rising Edge		5	10	ns (min)
t_{HDO}	DO Hold Time from Serial Data Clock Falling Edge	$R_L = 3k, C_L = 100 pF$	35	65 5	ns (max) ns (min)
t_{DDO}	Delay from Serial Data Clock Falling Edge to DO Data Valid		50	90	ns (max)
t_{RDO}	DO Rise Time, TRI-STATE to High DO Rise Time, Low to High	$R_L = 3k, C_L = 100 pF$	10 10	40 40	ns (max) ns (max)
t_{FDO}	DO Fall Time, TRI-STATE to Low DO Fall Time, High to Low	$R_L = 3k, C_L = 100 pF$	15 15	40 40	ns (max) ns (max)
t_{CD}	Delay from \overline{CS} Falling Edge to \overline{DOR} Falling Edge		45	80	ns (max)
t_{SD}	Delay from Serial Data Clock Falling Edge to \overline{DOR} Rising Edge		45	80	ns (max)
C_{IN}	Capacitance of Logic Inputs		20		pF
C_{OUT}	Capacitance of Logic Outputs		20		pF

Note 1: Absolute Maximum Ratings indicate limits beyond which damage to the device may occur. Operating Ratings indicate conditions for which the device is functional, but do not guarantee specific performance limits. For guaranteed specifications and test conditions, see the Electrical Characteristics. The guaranteed specifications apply only for the test conditions listed. Some performance characteristics may degrade when the device is not operated under the listed test conditions.

Note 2: All voltages are measured with respect to GND, unless otherwise specified.

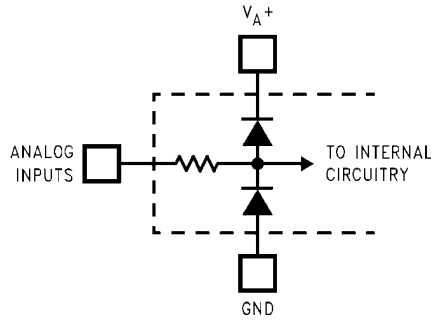
Note 3: When the input voltage (V_{IN}) at any pin exceeds the power supplies ($V_{IN} < GND$ or $V_{IN} > V_{A^+}$ or V_{D^+}), the current at that pin should be limited to 30 mA. The 120 mA maximum package input current rating limits the number of pins that can safely exceed the power supplies with an input current of 30 mA to four.

Note 4: The maximum power dissipation must be derated at elevated temperatures and is dictated by $T_{J,max}$, θ_{JA} and the ambient temperature, T_A . The maximum allowable power dissipation at any temperature is $P_D = (T_{J,max} - T_A)/\theta_{JA}$ or the number given in the Absolute Maximum Ratings, whichever is lower. For this device, $T_{J,max} = 150^\circ C$.

Note 5: The human body model is a 100 pF capacitor discharged through a 1.5 k Ω resistor into each pin.

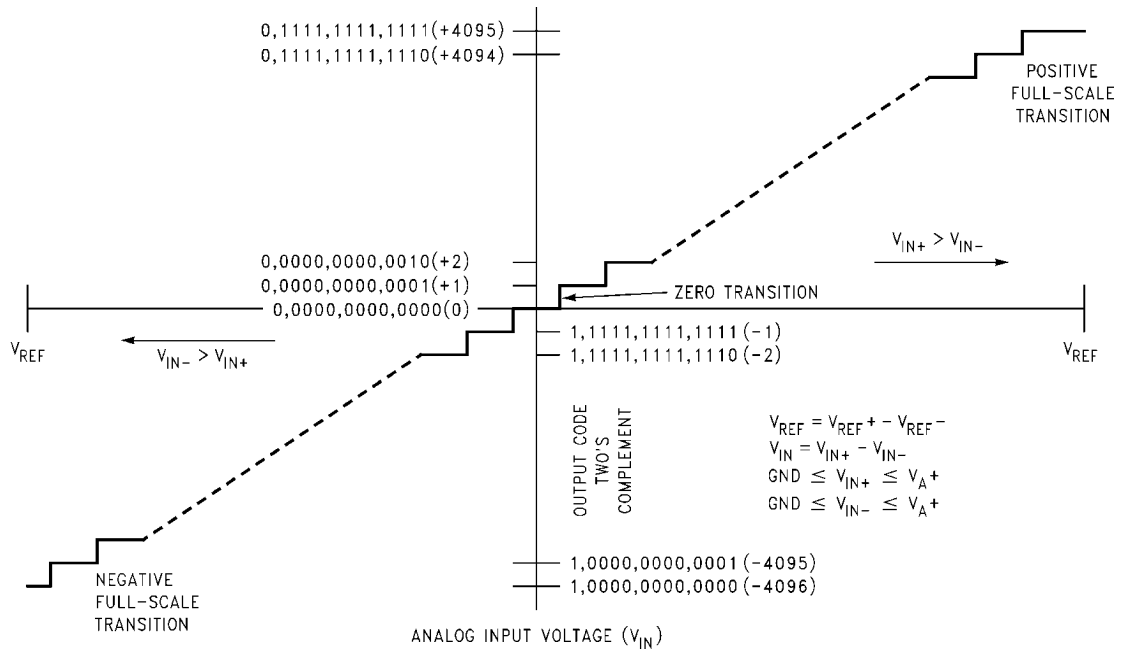
Note 6: See AN450 "Surface Mounting Methods and Their Effect on Product Reliability" or the section titled "Surface Mount" found in any post 1986 National Semiconductor Linear Data Book for other methods of soldering surface mount devices.

Note 7: Two on-chip diodes are tied to each analog input through a series resistor as shown below. Input voltage magnitude up to 5V above V_{A^+} or 5V below GND will not damage this device. However, errors in conversion can occur (if these diodes are forward biased by more than 50 mV) if the input voltage magnitude of selected or unselected analog input go above V_{A^+} or below GND by more than 50 mV. As an example, if V_{A^+} is 4.5 V_{DC} , full-scale input voltage must be $\leq 4.55 V_{DC}$ to ensure accurate conversions.



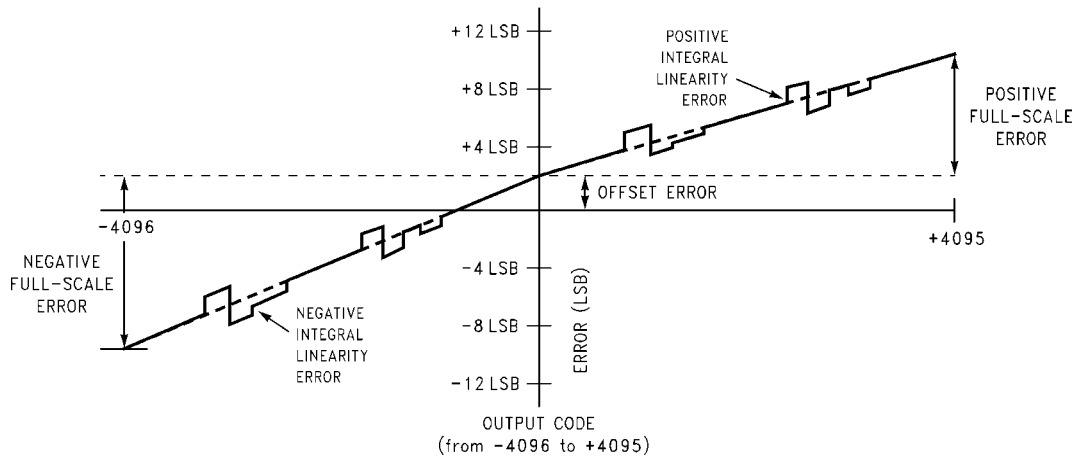
1207904

- Note 8:** To guarantee accuracy, it is required that the V_{A+} and V_{D+} be connected together to the same power supply with separate bypass capacitors at each $V+$ pin.
- Note 9:** With the test condition for V_{REF} ($V_{REF+} - V_{REF-}$) given as +4.096V, the 12-bit LSB is 1.0 mV. For $V_{REF} = 2.5V$, the 12-bit LSB is 610 μV .
- Note 10:** Typical figures are at $T_J = T_A = 25^\circ C$ and represent most likely parametric norm.
- Note 11:** Tested limits are guaranteed to National's AOQL (Average Outgoing Quality Level).
- Note 12:** Positive integral linearity error is defined as the deviation of the analog value, expressed in LSBs, from the straight line that passes through positive full-scale and zero. For negative integral linearity error, the straight line passes through negative full-scale and zero (see Figure 2 and Figure 3).
- Note 13:** Offset or Zero error is a measure of the deviation from the mid-scale voltage (a code of zero), expressed in LSB. It is the average value of the code transitions between -1 to 0 and 0 to $+1$ (see Figure 4).
- Note 14:** Total unadjusted error includes offset, full-scale, linearity and multiplexer errors.
- Note 15:** The DC common-mode error is measured in the differential multiplexer mode with the assigned positive and negative input channels shorted together.
- Note 16:** Channel leakage current is measured after the channel selection.
- Note 17:** Timing specifications are tested at the TTL logic levels, $V_{OL} = 0.4V$ for a falling edge and $V_{OH} = 2.4V$ for a rising edge. TRI-STATE output voltage is forced to 1.4V.
- Note 18:** The ADC12130 family's self-calibration technique ensures linearity and offset errors as specified, but noise inherent in the self-calibration process will result in a maximum repeatability uncertainty of 0.2 LSB.
- Note 19:** If SCLK and CCLK are driven from the same clock source, then t_A is 6, 10, 18 or 34 clock periods minimum and maximum.
- Note 20:** The "12-Bit Conversion of Offset" and "12-Bit Conversion of Full-Scale" modes are intended to test the functionality of the device. Therefore, the output data from these modes are not an indication of the accuracy of a conversion result.



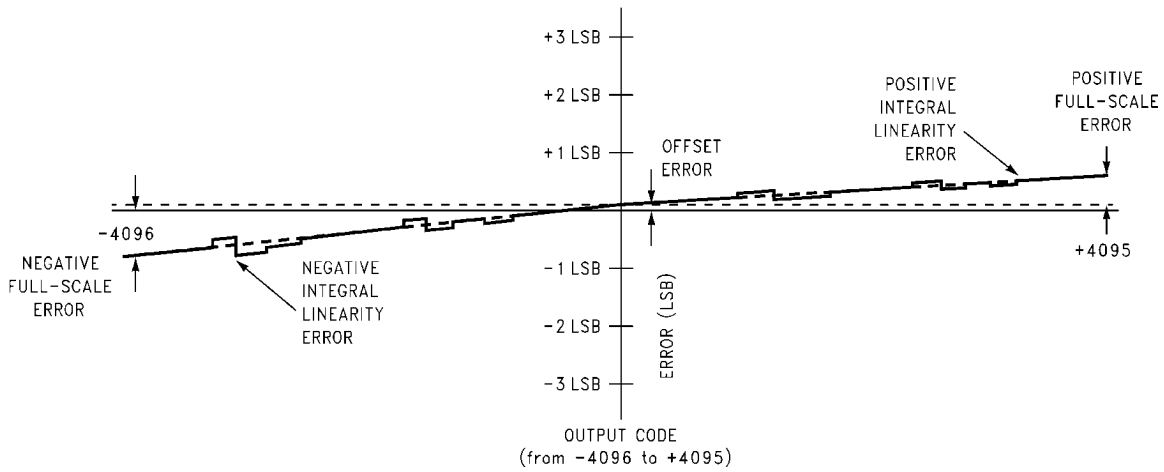
1207905

FIGURE 1. Transfer Characteristic



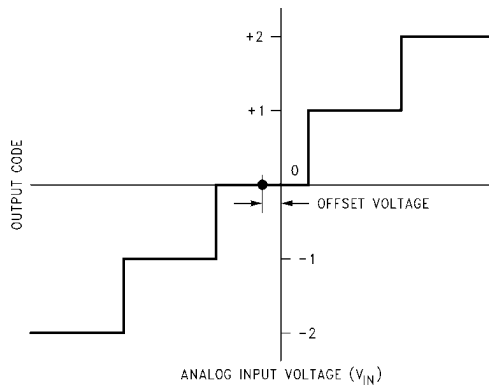
1207906

FIGURE 2. Simplified Error Curve vs. Output Code without Auto Calibration or Auto Zero Cycles



1207907

FIGURE 3. Simplified Error Curve vs. Output Code after Auto Calibration Cycle

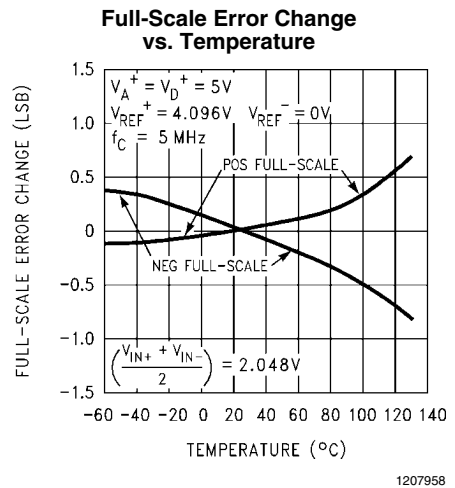
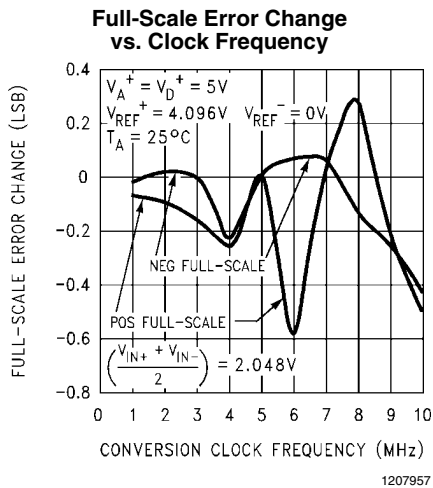
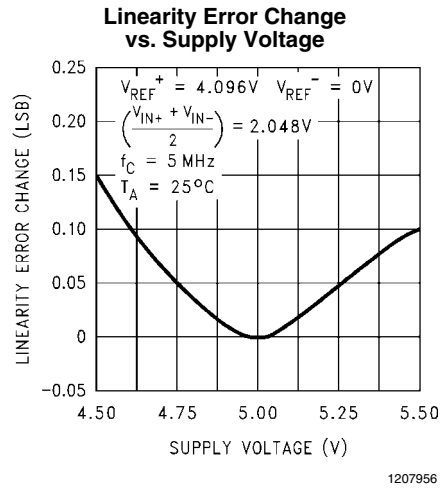
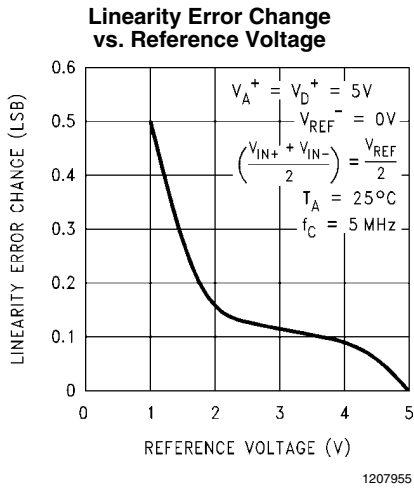
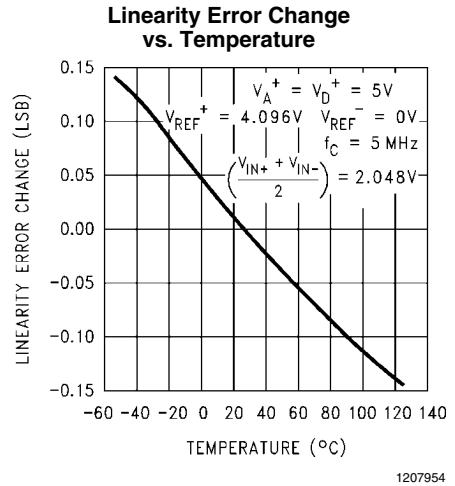
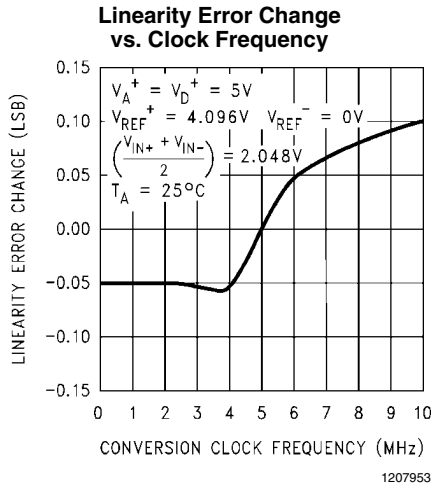


1207908

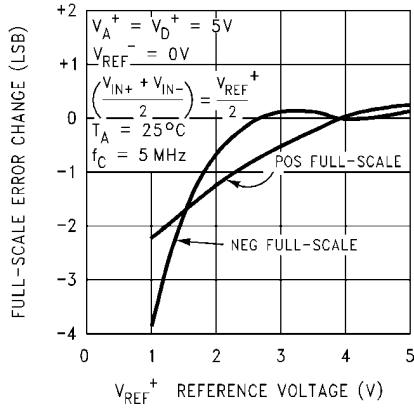
FIGURE 4. Offset or Zero Error Voltage

Typical Performance Characteristics

The following curves apply for 12-bit + sign mode after Auto Calibration unless otherwise specified.

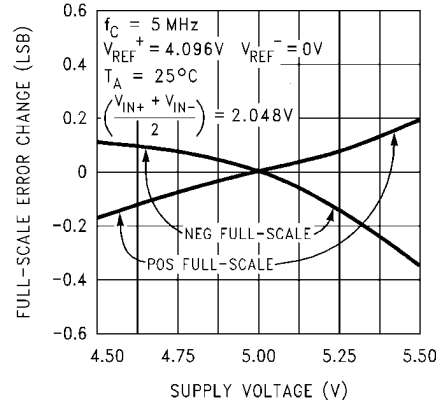


Full-Scale Error Change vs. Reference Voltage



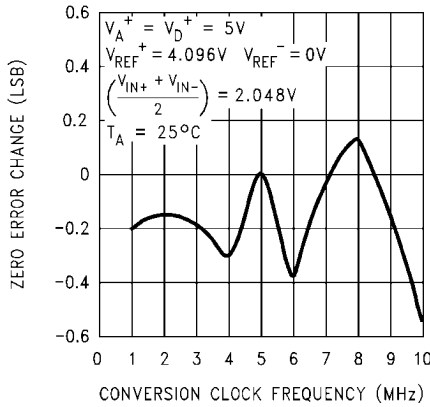
1207959

Full-Scale Error Change vs. Supply Voltage



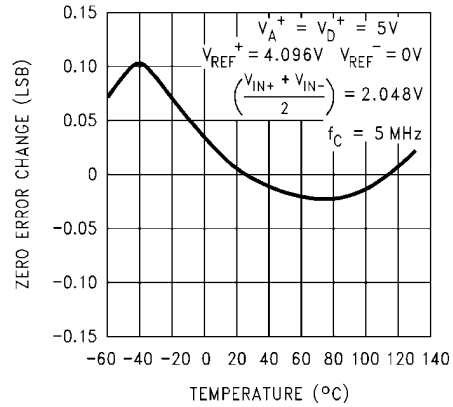
1207960

Offset or Zero Error Change vs. Clock Frequency



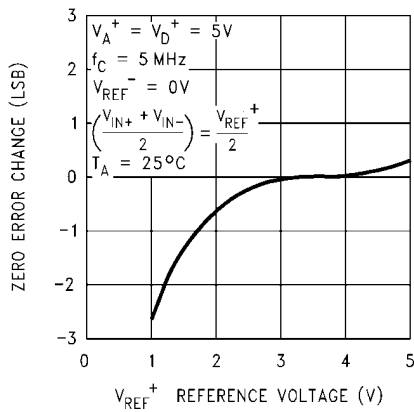
1207961

Offset or Zero Error Change vs. Temperature



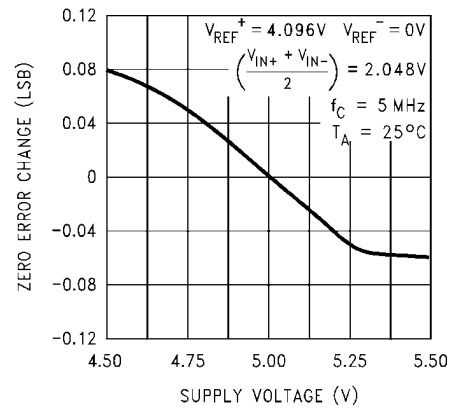
1207962

Offset or Zero Error Change vs. Reference Voltage



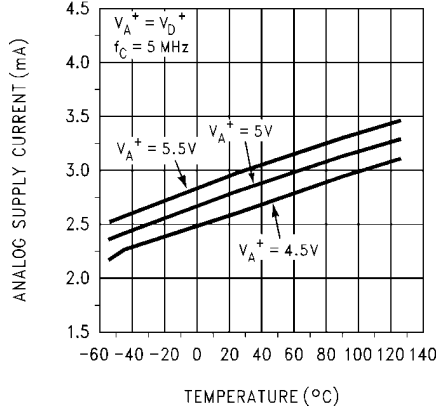
1207963

Offset or Zero Error Change vs. Supply Voltage



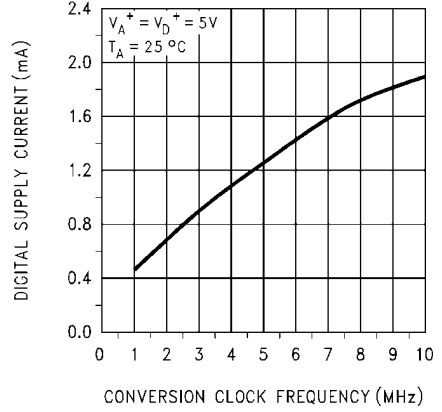
1207964

Analog Supply Current vs. Temperature



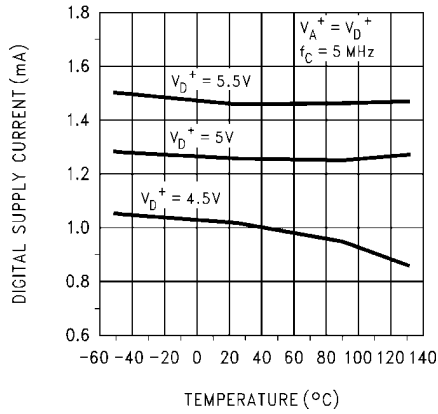
1207965

Digital Supply Current vs. Clock Frequency



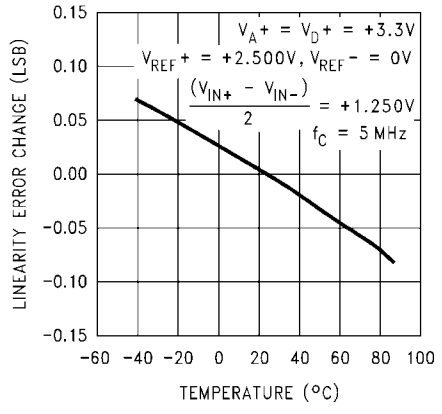
1207966

Digital Supply Current vs. Temperature



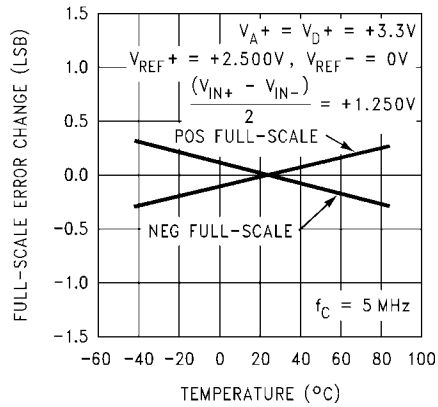
1207967

Linearity Error Change vs. Temperature



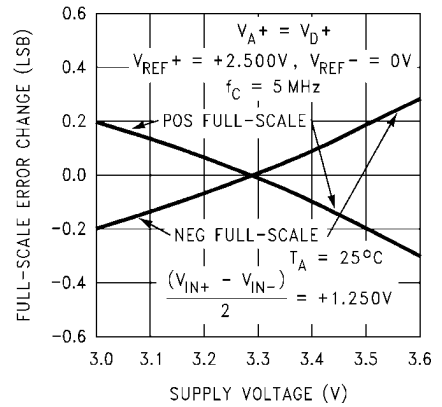
1207968

Full-Scale Error Change vs. Temperature



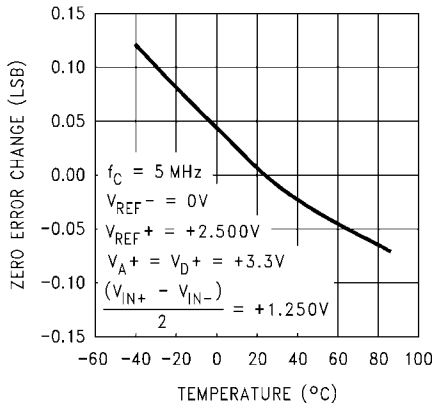
1207969

Full-Scale Error Change vs. Supply Voltage



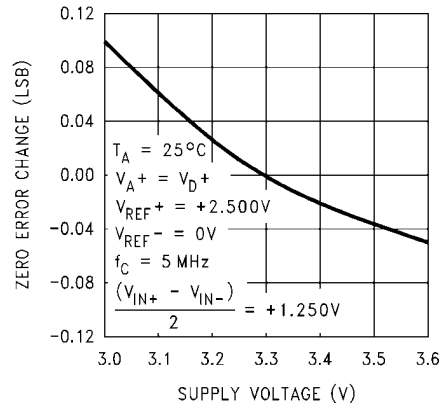
1207970

Offset or Zero Error Change vs. Temperature



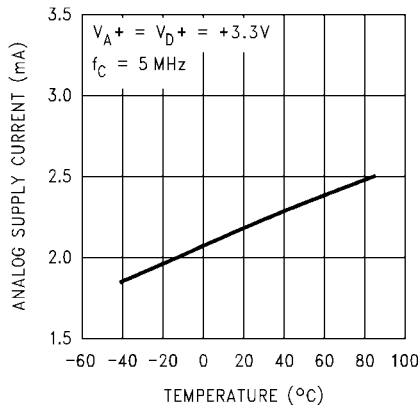
1207971

Offset or Zero Error Change vs. Supply Voltage



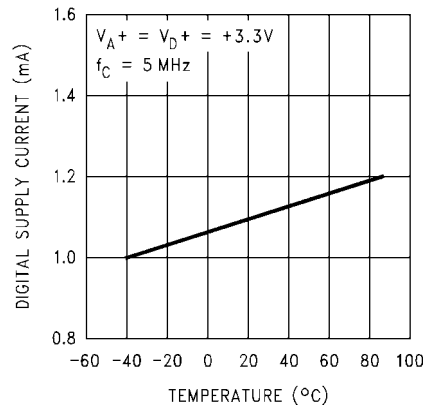
1207972

Analog Supply Current vs. Temperature



1207973

Digital Supply Current vs. Temperature

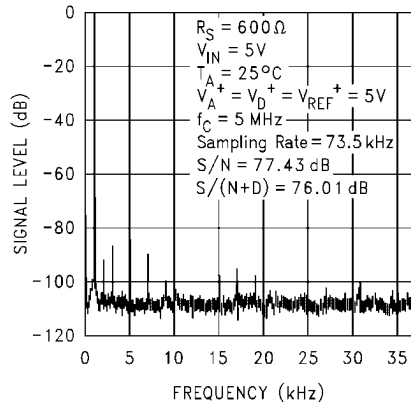


1207974

Typical Dynamic Performance Characteristics

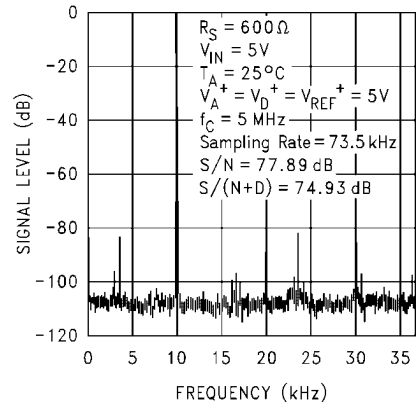
The following curves apply for 12-bit + sign mode after Auto Calibration unless otherwise specified.

Bipolar Spectral Response with 1 kHz Sine Wave Input



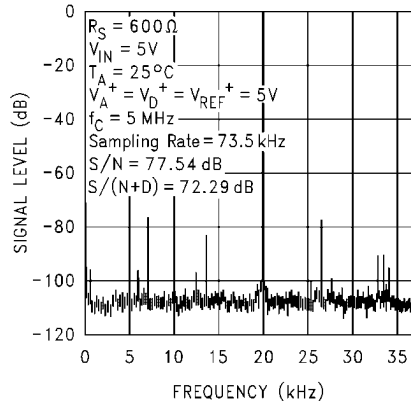
1207975

Bipolar Spectral Response with 10 kHz Sine Wave Input



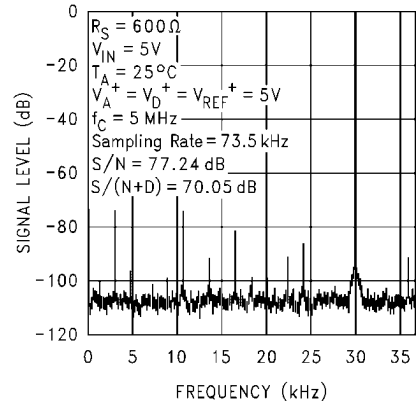
1207976

Bipolar Spectral Response with 20 kHz Sine Wave Input



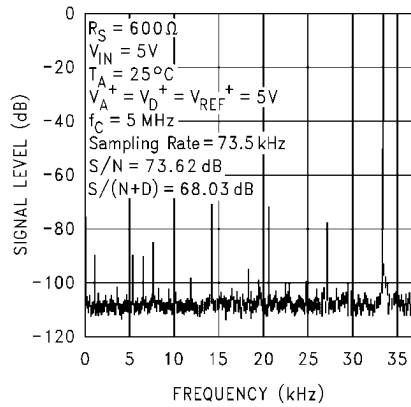
1207977

Bipolar Spectral Response with 30 kHz Sine Wave Input



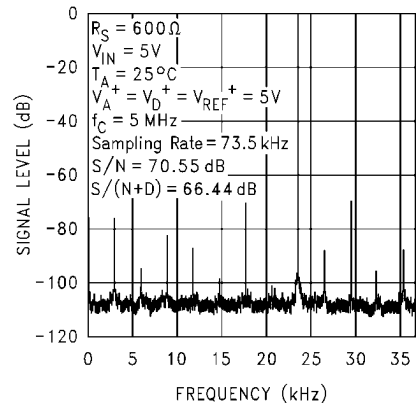
1207978

Bipolar Spectral Response with 40 kHz Sine Wave Input



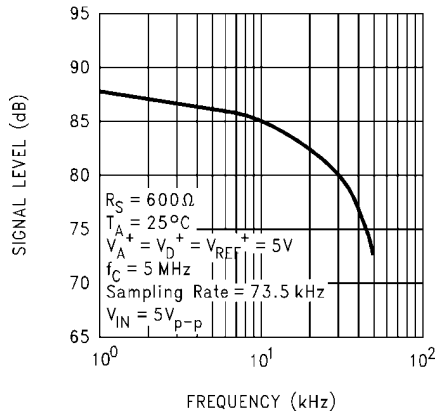
1207979

Bipolar Spectral Response with 50 kHz Sine Wave Input



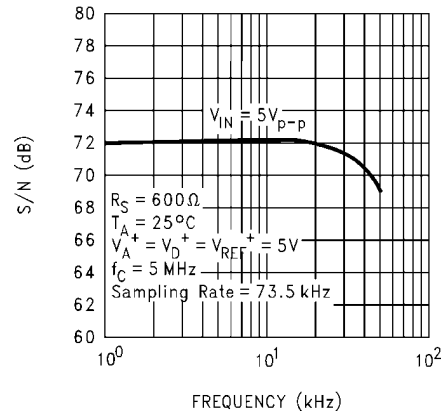
1207980

Bipolar Spurious Free Dynamic Range



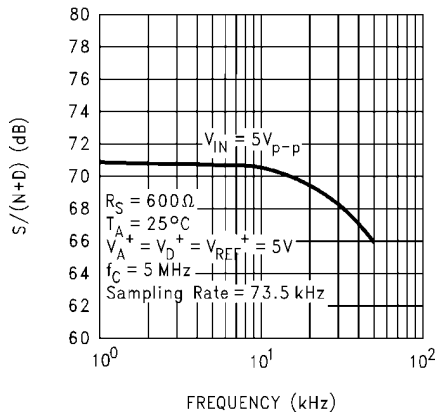
1207981

Unipolar Signal-to-Noise Ratio vs. Input Frequency



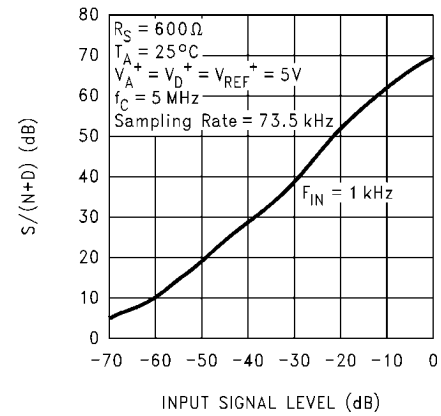
1207982

Unipolar Signal-to-Noise + Distortion Ratio vs. Input Frequency



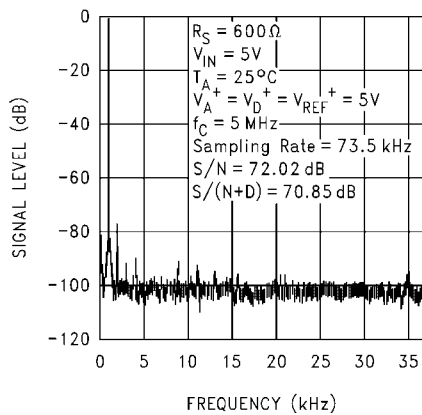
1207983

Unipolar Signal-to-Noise + Distortion Ratio vs. Input Signal Level



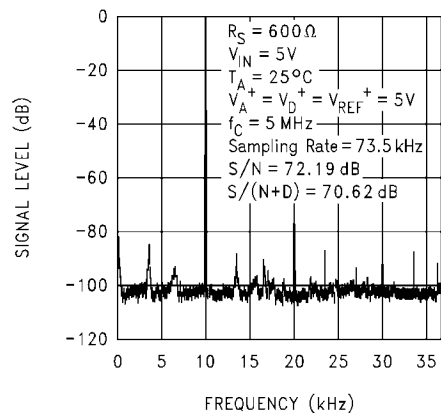
1207984

Unipolar Spectral Response with 1 kHz Sine Wave Input



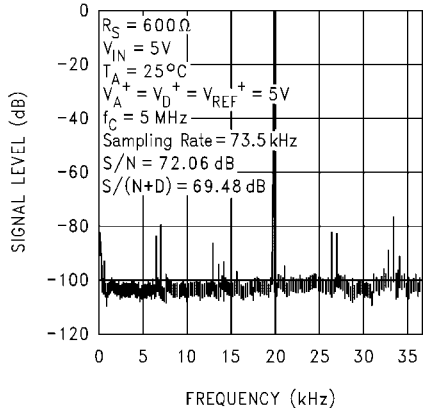
1207985

Unipolar Spectral Response with 10 kHz Sine Wave Input

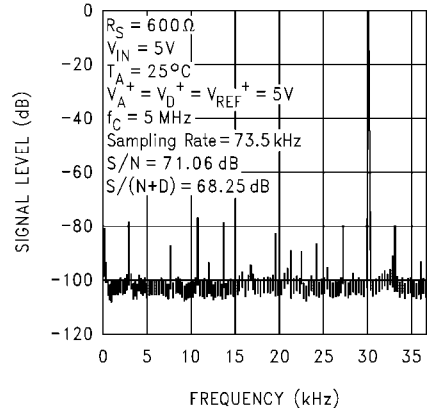


1207986

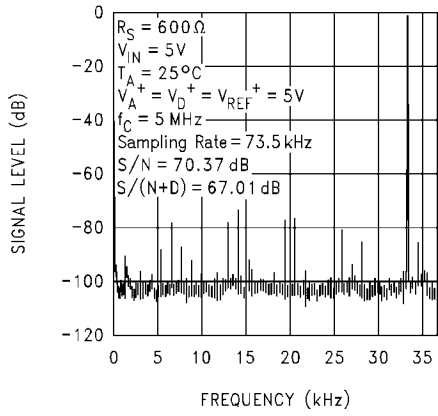
Unipolar Spectral Response with 20 kHz Sine Wave Input



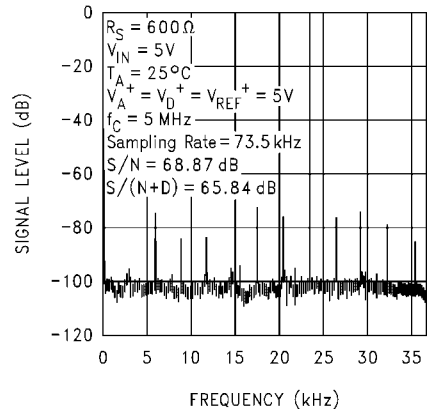
Unipolar Spectral Response with 30 kHz Sine Wave Input



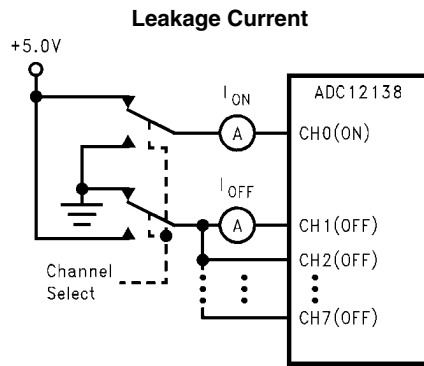
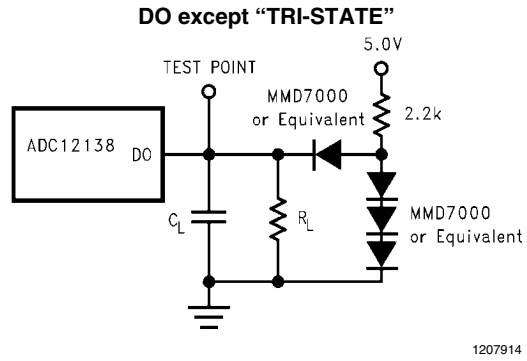
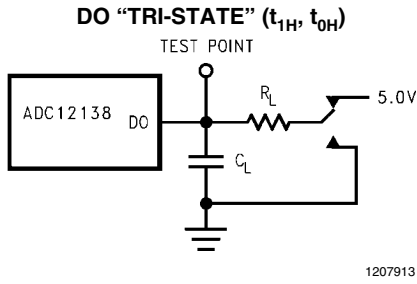
Unipolar Spectral Response with 40 kHz Sine Wave Input



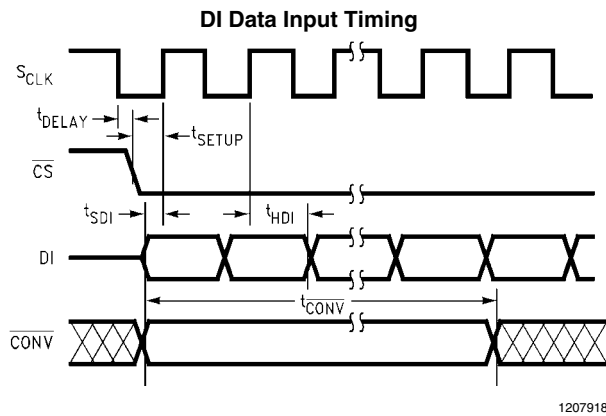
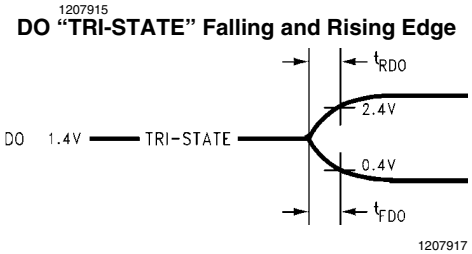
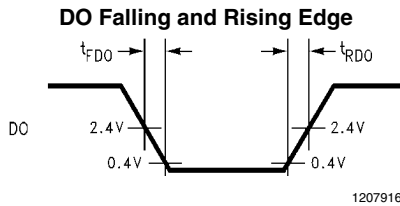
Unipolar Spectral Response with 50 kHz Sine Wave Input



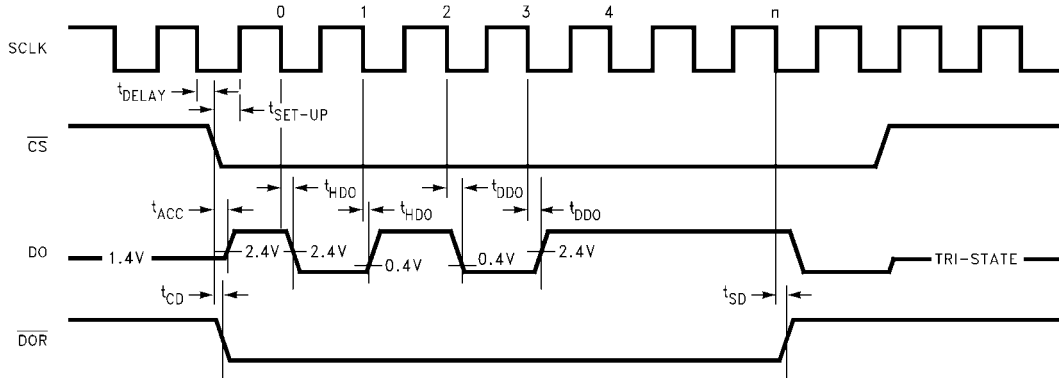
Test Circuits



Timing Diagrams

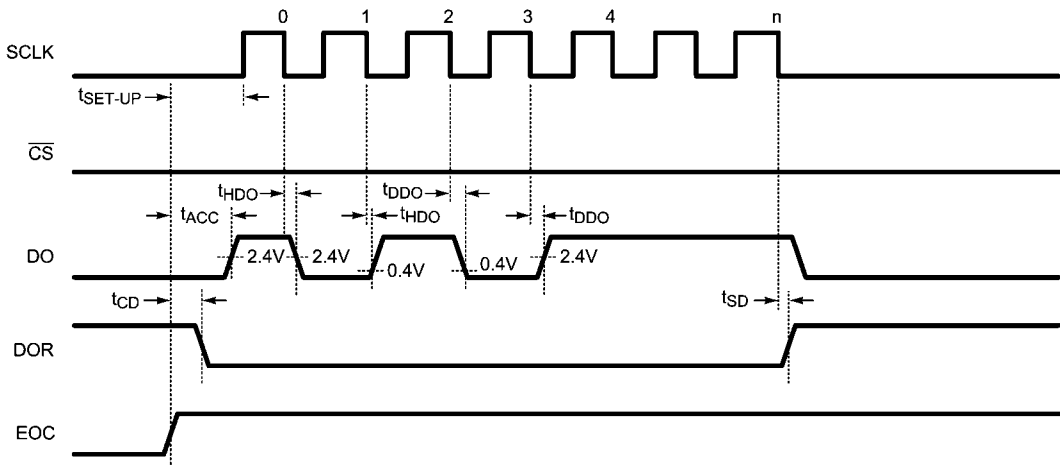


DO Data Output Timing Using $\overline{\text{CS}}$



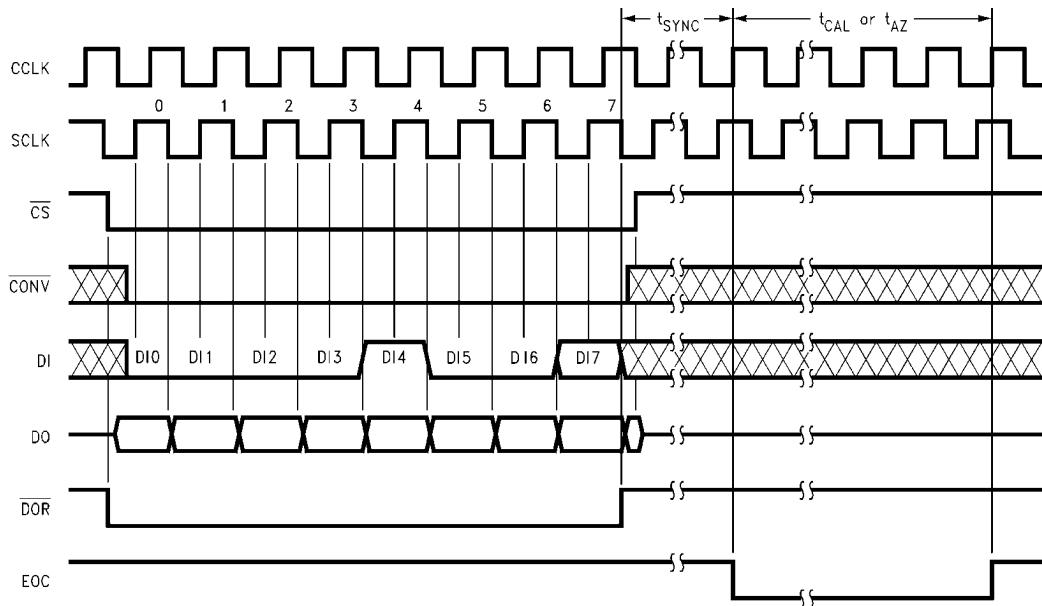
1207919

DO Data Output Timing with $\overline{\text{CS}}$ Continuously Low



1207920

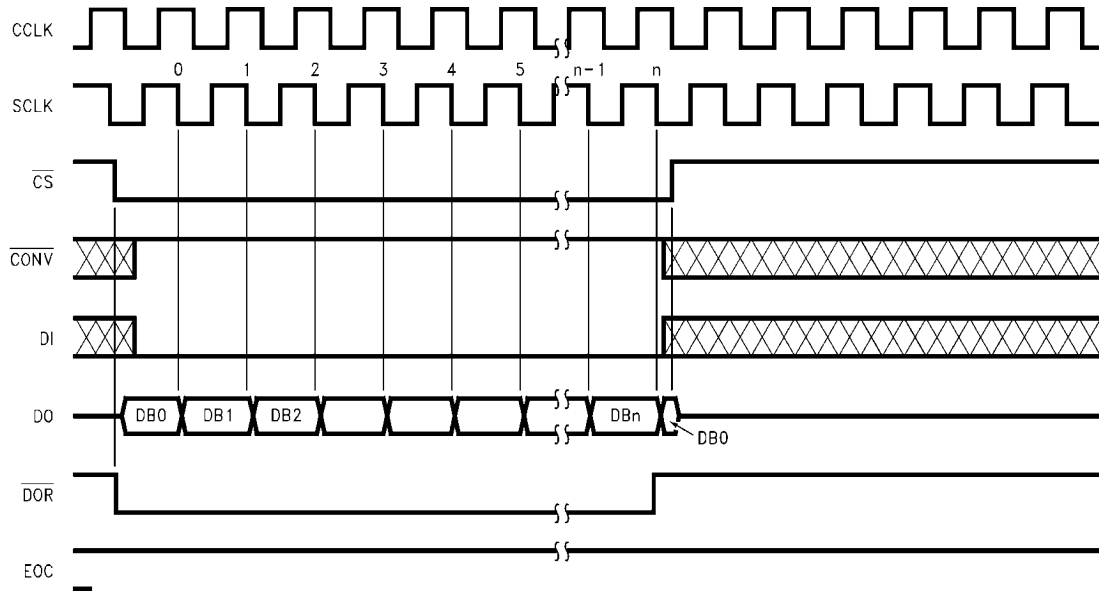
ADC12138 Auto Cal or Auto Zero



1207921

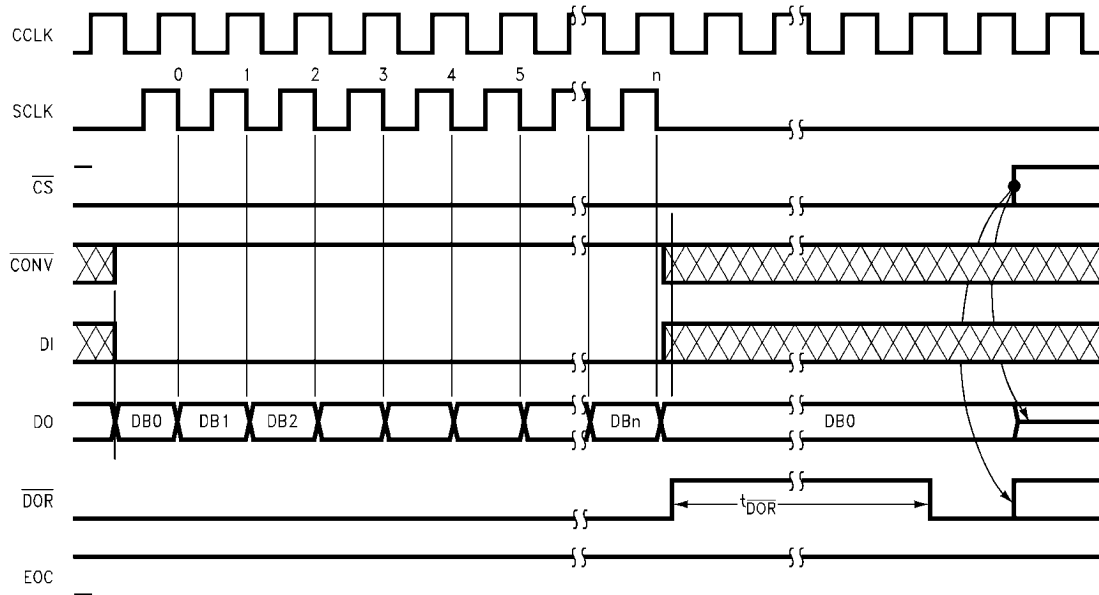
Note: DO output data is not valid during this cycle.

ADC12138 Read Data without Starting a Conversion Using \overline{CS}



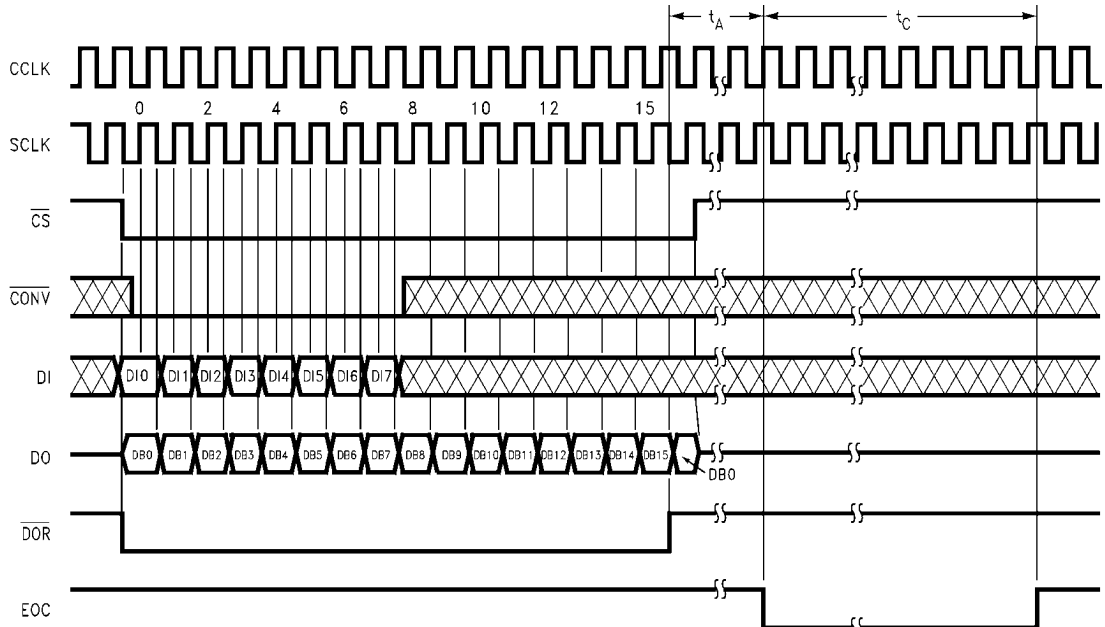
1207922

ADC12138 Read Data without Starting a Conversion with \overline{CS} Continuously Low



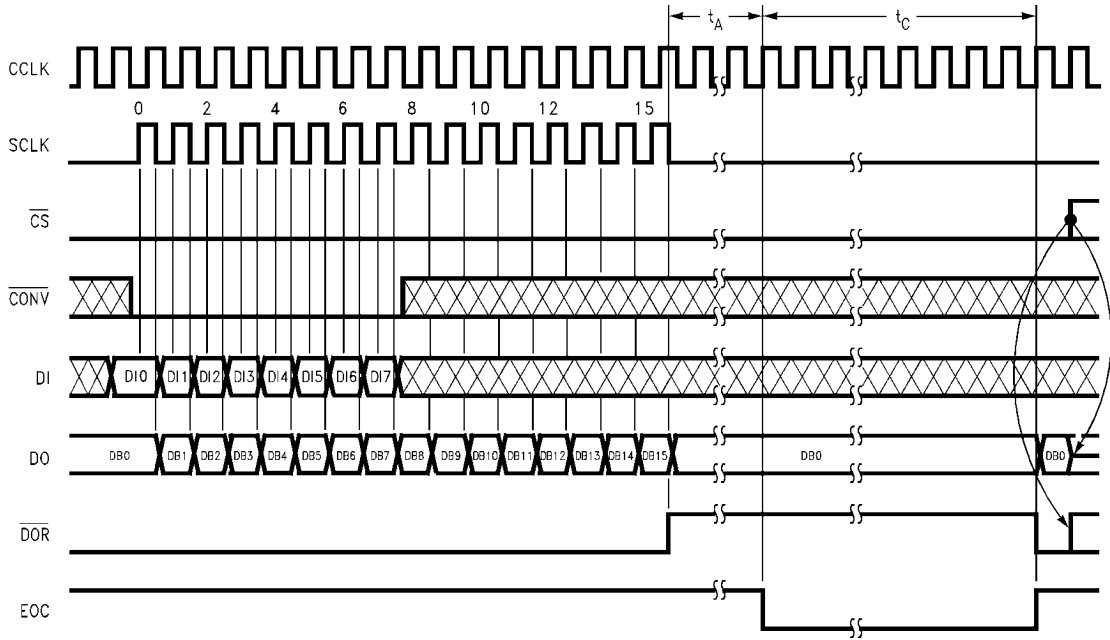
1207923

ADC12138 Conversion Using \overline{CS} with 16-Bit Digital Output Format



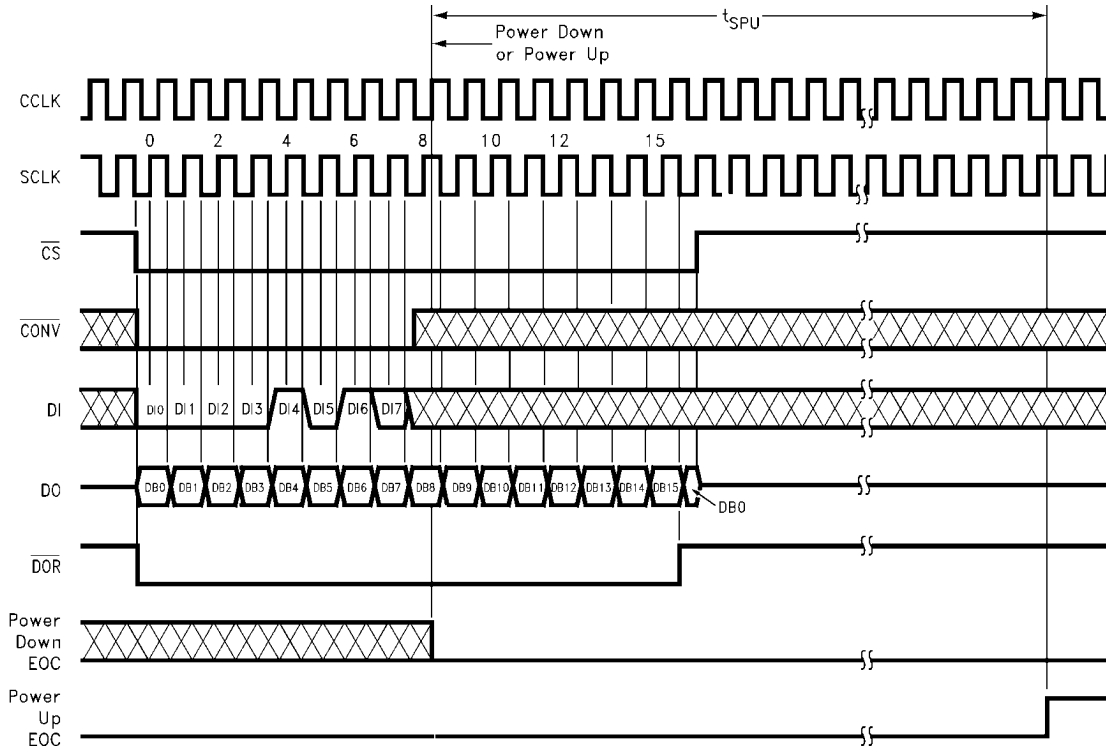
1207924

ADC12138 Conversion with \overline{CS} Continuously Low and 16-Bit Digital Output Format



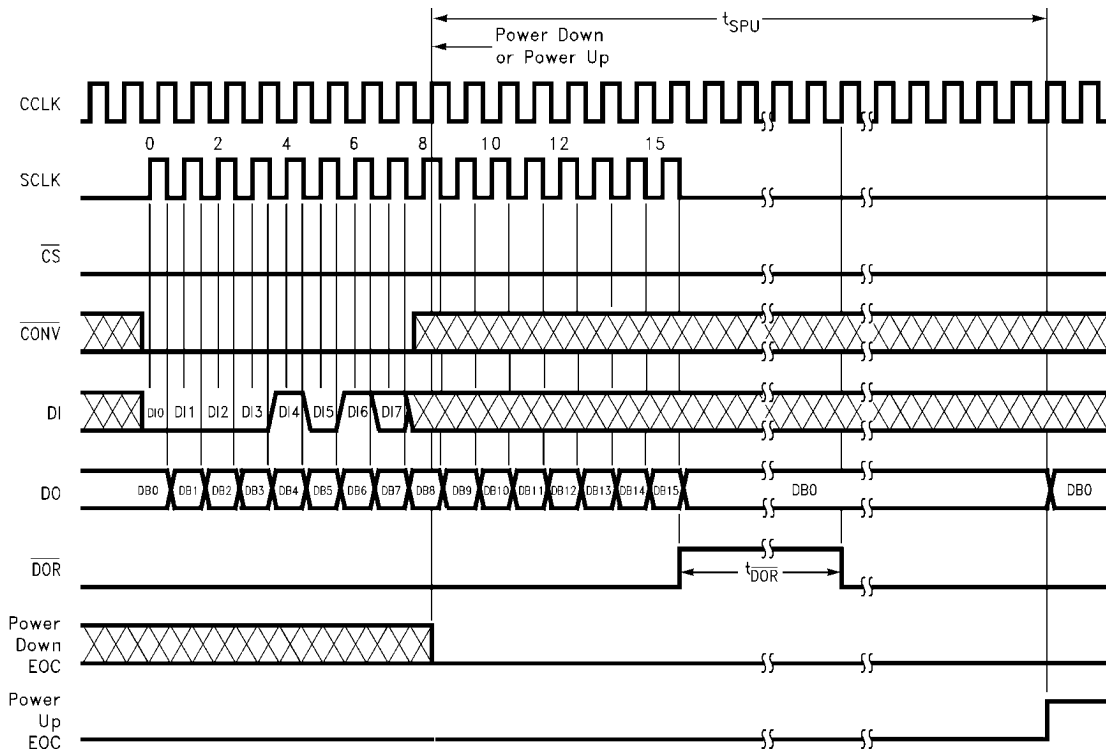
1207925

ADC12138 Software Power Up/Down Using \overline{CS} with 16-Bit Digital Output Format



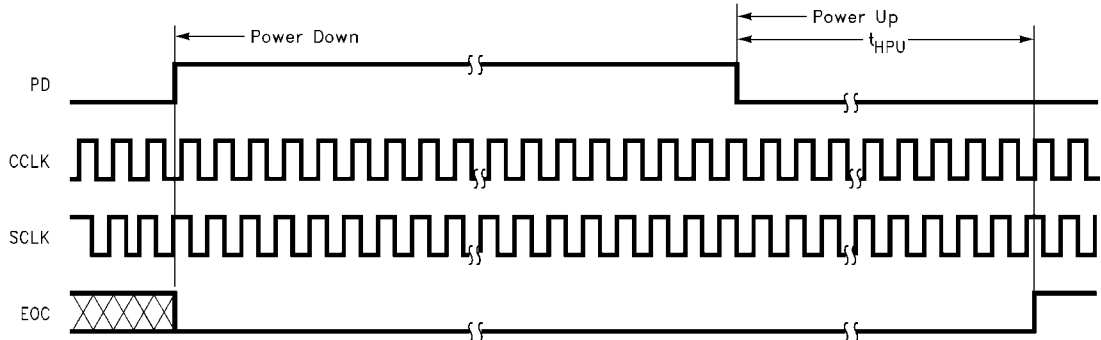
1207926

ADC12138 Software Power Up/Down with \overline{CS} Continuously Low and 16-Bit Digital Output Format



1207927

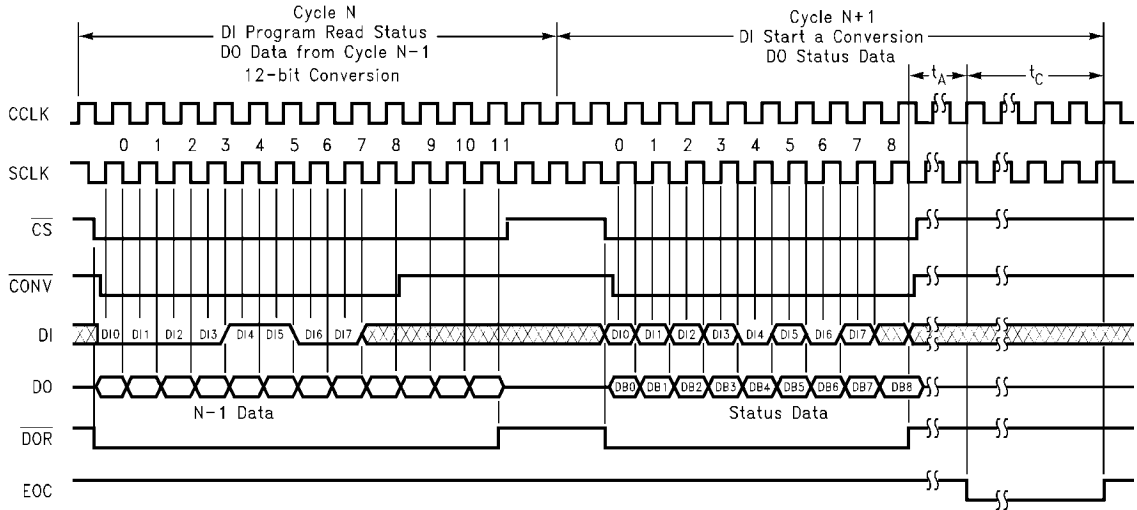
ADC12138 Hardware Power Up/Down



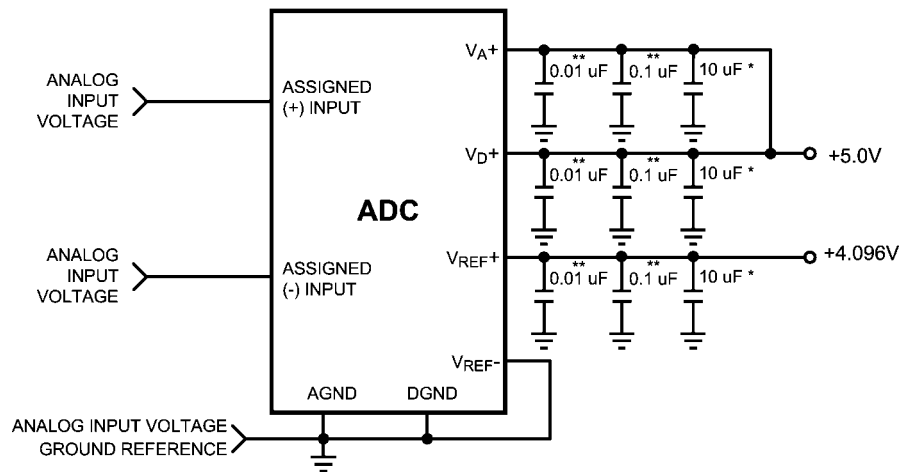
1207928

Note: Hardware power up/down may occur at any time. If PD is high while a conversion is in progress that conversion will be corrupted and erroneous data will be stored in the output shift register.

ADC12138 Configuration Modification—Example of a Status Read



1207929

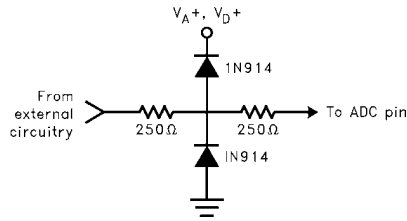


1207931

*Tantalum

**Monolithic Ceramic or better

FIGURE 5. Recommended Power Supply Bypassing and Grounding



1207930

FIGURE 6. Protecting the MUXOUT1, MUXOUT2, A/DIN1 and A/DIN2 Analog Pins

Format and Set-Up Tables

TABLE 1. Data Out Formats

DO Formats		DB0	DB1	DB2	DB3	DB4	DB5	DB6	DB7	DB8	DB9	DB 10	DB 11	DB 12	DB 13	DB 14	DB 15	DB 16		
with Sign	MSB First	17 Bits	X	X	X	X	Sign	MSB	10	9	8	7	6	5	4	3	2	1	LSB	
		13 Bits	Sing	MSB	10	9	8	7	6	5	4	3	2	1	LSB					
	LSB First	17 Bits	LSB	1	2	3	4	5	6	7	8	9	10	MSB	Sign	X	X	X	X	
		13 Bits	LSB	1	2	3	4	5	6	7	8	9	10	MSB	Sign					
with-out Sign	MSB First	16 Bits	0	0	0	0	MSB	10	9	8	7	6	5	4	3	2	1	LSB		
		12 Bits	MSB	10	9	8	7	6	5	4	3	2	1	LSB						
	LSB First	16 Bits	LSB	1	2	3	4	5	6	7	8	9	10	MSB	0	0	0	0		
		12 Bits	LSB	1	2	3	4	5	6	7	8	9	10	MSB						

X = High or Low state.

TABLE 2. ADC12138 Multiplexer Addressing

MUX Address				Analog Channel Addressed and Assignment with A/DIN1 tied to MUXOUT1 and A/DIN2 tied to MUXOUT2									ADC Input Polarity Assignment		Multiplexer Output Channel Assignment		Mode	
DI0	DI1	DI2	DI3	CH 0	CH 1	CH 2	CH 3	CH 4	CH 5	CH 6	CH 7	COM	A/DIN1	A/DIN2	MUXOUT1	MUXOUT2		
L	L	L	L	+	-									+	-	CH0	CH1	Differential
L	L	L	H			+	-							+	-	CH2	CH3	
L	L	H	L					+	-					+	-	CH4	CH5	
L	L	H	H							+	-			+	-	CH6	CH7	
L	H	L	L	-	+									-	+	CH0	CH1	
L	H	L	H			-	+							-	+	CH2	CH3	
L	H	H	L					-	+					-	+	CH4	CH5	
L	H	H	H							-	+			-	+	CH6	CH7	
H	L	L	L	+									-	+	-	CH0	COM	Single-Ended
H	L	L	H			+							-	+	-	CH2	COM	
H	L	H	L					+					-	+	-	CH4	COM	
H	L	H	H							+			-	+	-	CH6	COM	
H	H	L	L		+								-	+	-	CH1	COM	
H	H	L	H				+						-	+	-	CH3	COM	
H	H	H	L						+				-	+	-	CH5	COM	
H	H	H	H								+		-	+	-	CH7	COM	

TABLE 3. ADC12130 and ADC12132 Multiplexer Addressing

MUX Address		Analog Channel Addressed and Assignment with A/DIN1 tied to MUXOUT1 and A/DIN2 tied to MUXOUT2			ADC Input Polarity Assignment		Multiplexer Output Channel Assignment		Mode
DI0	DI1	CH0	CH1	COM	A/DIN1	A/DIN2	MUXOUT1	MUXOUT2	
L	L	+	-		+	-	CH0	CH1	Differential
L	H	-	+		-	+	CH0	CH1	
H	L	+		-	+	-	CH0	COM	Single-Ended
H	H		+	-	+	-	CH1	COM	

Note: ADC12130 do not have A/DIN1, A/DIN2, MUXOUT1 and MUXOUT2 pins.

TABLE 4. Mode Programming

ADC12138	DI0	DI1	DI2	DI3	DI4	DI5	DI6	DI7	Mode Selected (Current)	DO Format (next Conversion Cycle)
ADC12130 and ADC12132	DI0	DI1			DI2	DI3	DI4	DI5		
	See Table 2 or Table 3				L	L	L	L	12 Bit Conversion	12 or 13 Bit MSB First
	See Table 2 or Table 3				L	L	L	H	12 Bit Conversion	16 or 17 Bit MSB First
	See Table 2 or Table 3				L	H	L	L	12 Bit Conversion	12 or 13 Bit LSB First
	See Table 2 or Table 3				L	H	L	H	12 Bit Conversion	16 or 17 Bit LSB First
	L	L	L	L	H	L	L	L	Auto Cal	No Change
	L	L	L	L	H	L	L	H	Auto Zero	No Change
	L	L	L	L	H	L	H	L	Power Up	No Change
	L	L	L	L	H	L	H	H	Power Down	No Change
	L	L	L	L	H	H	L	L	Read Status Register	No Change
	L	L	L	L	H	H	L	H	Data Out without Sign	No Change
	H	L	L	L	H	H	L	H	Data Out with Sign	No Change
	L	L	L	L	H	H	H	L	Acquisition Time—6 CCLK Cycles	No Change
	L	H	L	L	H	H	H	L	Acquisition Time—10 CCLK Cycles	No Change
	H	L	L	L	H	H	H	L	Acquisition Time—18 CCLK Cycles	No Change
	H	H	L	L	H	H	H	L	Acquisition Time—34 CCLK Cycles	No Change
	L	L	L	L	H	H	H	H	User Mode	No Change
	H	X	X	X	H	H	H	H	Test Mode (CH1–CH7 become Active Outputs)	No Change

Note: The ADC powers up with no Auto Cal, no Auto Zero, 10 CCLK acquisition time, 12-bit + sign conversion, power up, 12- or 13-bit MSB First, and user mode.
X = Don't Care

TABLE 5. Conversion/Read Data Only Mode Programming

CS	CONV	PD	Mode
L	L	L	See Table 4 for Mode
L	H	L	Read Only (Previous DO Format). No Conversion.
H	X	L	Idle
X	X	H	Power Down

X = Don't Care

TABLE 6. Status Register

Status Bit Location	DB0	DB1	DB2	DB3	DB4	DB5	DB6	DB7	DB8
Status Bit	PU	PD	Cal		12 or 13	16 or 17	Sign	Justification	Test Mode
Function	Device Status			DO Output Format Status					
		“High” indicates a Power Up Sequence is in progress	“High” indicates a Power Down Sequence is in progress	“High” indicates an Auto Cal Sequence is in progress	Not used	“High” indicates a 12 or 13 bit format	“High” indicates a 16 or 17 bit format	“High” indicates that the sign bit is included. When “Low” the sign bit is not included.	When “High” the conversion result will be output MSB first. When “Low” the result will be output LSB first.

Application Information

NOTE: Some of the device/package combinations are obsolete and are shown and described here for reference only. Please see the National web site for availability.

1.0 DIGITAL INTERFACE

1.1 Interface Concepts

The example in *Figure 7* shows a typical sequence of events after the power is applied to the ADC12130/2/8:

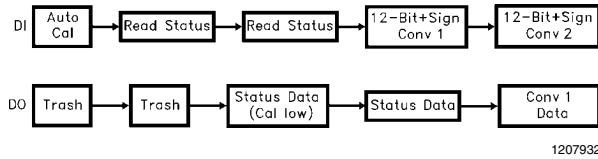


FIGURE 7. Typical Power Supply Power Up Sequence

The first instruction input to the ADC via DI initiates Auto Cal. The data output on DO at that time is meaningless and is completely random. To determine whether the Auto Cal has been completed, a read status instruction should be issued to the ADC. Again the data output at that time has no significance since the Auto Cal procedure modifies the data in the output shift register. To retrieve the status information, an additional read status instruction should be issued to the ADC. At this time the status data is available on DO. If the Cal signal in the status word is low, Auto Cal has been completed. Therefore, the next instruction issued can start a conversion. The data output at this time is again status information.

To keep noise from corrupting the conversion, status can not be read during a conversion. If \overline{CS} is strobed and is brought low during a conversion, that conversion is prematurely ended. EOC can be used to determine the end of a conversion or the ADC controller can keep track in software of when it would be appropriate to communicate to the ADC again. Once it has been determined that the ADC has completed a conversion, another instruction can be transmitted to the ADC. The data from this conversion can be accessed when the next instruction is issued to the ADC.

Note, when \overline{CS} is low continuously it is important to transmit the exact number of SCLK cycles, as shown in the timing diagrams. Not doing so will desynchronize the serial communication to the ADC. (See *Section 1.3 \overline{CS} Low Continuously Considerations*.)

1.2 Changing Configuration

The configuration of the ADC12130/2/8 on power up defaults to 12-bit plus sign resolution, 12- or 13-bit MSB First, 10 CCLK acquisition time, user mode, no Auto Cal, no Auto Zero, and power up mode. Changing the acquisition time and turning the sign bit on and off requires an 8-bit instruction to be issued to the ADC. This instruction will not start a conversion. The instructions that select a multiplexer address and format the output data do start a conversion. *Figure 8* describes an example of changing the configuration of the ADC12130/2/8.

During I/O sequence 1, the instruction at DI configures the ADC to do a conversion with 12-bit +sign resolution. Notice that, when the 6 CCLK Acquisition and Data Out without Sign instructions are issued to the ADC, I/O sequences 2 and 3, a new conversion is not started. The data output during these instructions is from conversion N, which was started during I/O sequence 1. The Configuration Modification timing diagram describes in detail the sequence of events necessary

for a Data Out without Sign, Data Out with Sign, or 6/10/18/34 CCLK Acquisition time mode selection. *Table 4* describes the actual data necessary to be loaded into the ADC to accomplish this configuration modification. The next instruction, shown in *Figure 8*, issued to the ADC starts conversion N+1 with 16-bit format and 12 bits of resolution formatted MSB first. Again the data output during this I/O cycle is the data from conversion N.

The number of SCLKs applied to the ADC during any conversion I/O sequence should vary in accord with the data out word format chosen during the previous conversion I/O sequence. The various formats and resolutions available are shown in *Table 1*. In *Figure 8*, since 16-bit without sign MSB first format was chosen during I/O sequence 4, the number of SCLKs required during I/O sequence 5 is sixteen. In the following I/O sequence the format changes to 12-bit without sign MSB first; therefore the number of SCLKs required during I/O sequence 6 changes accordingly to 12.

1.3 \overline{CS} Low Continuously Considerations

When \overline{CS} is continuously low, it is important to transmit the exact number of SCLK pulses that the ADC expects. Not doing so will desynchronize the serial communications to the ADC. When the supply power is first applied to the ADC, it will expect to see **13 SCLK pulses** for each I/O transmission. The number of SCLK pulses that the ADC expects to see is the same as the digital output word length. The digital output word length is controlled by the Data Out (DO) format. The DO format maybe changed any time a conversion is started or when the sign bit is turned on or off. The table below details out the number of clock periods required for different DO formats:

DO Format		Number of SCLKs Expected
12-Bit MSB or LSB First	SIGN OFF	12
	SIGN ON	13
16-Bit MSB or LSB first	SIGN OFF	16
	SIGN ON	17

If erroneous SCLK pulses desynchronize the communications, the simplest way to recover is by cycling the power supply to the device. Not being able to easily resynchronize the device is a shortcoming of leaving \overline{CS} low continuously.

The number of clock pulses required for an I/O exchange may be different for the case when \overline{CS} is left low continuously vs. the case when \overline{CS} is cycled. Take the I/O sequence detailed in *Figure 7* (Typical Power Supply Sequence) as an example. The table below lists the number of SCLK pulses required for each instruction:

Instruction	\overline{CS} Low Continuously	\overline{CS} Strobed
Auto Cal	13 SCLKs	8 SCLKs
Read Status	13 SCLKs	8 SCLKs
Read Status	13 SCLKs	8 SCLKs
12-Bit + Sign Conv 1	13 SCLKs	8 SCLKs
12-Bit + Sign Conv 2	13 SCLKs	13 SCLKs

1.4 Analog Input Channel Selection

The data input at DI also selects the channel configuration (see *Table 2*, *Table 3* and *Table 4*). In *Figure 8* the only times when the channel configuration could be modified would be during I/O sequences 1, 4, 5 and 6. Input channels are reselected before the start of each new conversion. Shown below

is the data bit stream required at DI during I/O sequence number 4 in Figure 8 to set CH1 as the positive input and CH0 as the negative input for the different ADC versions.

Part Number	DI Data							
	DI0	DI1	DI2	DI3	DI4	DI5	DI6	DI7
ADC12130 and ADC12132	L	H	L	L	H	L	X	X
ADC12138	L	H	L	L	L	L	H	L

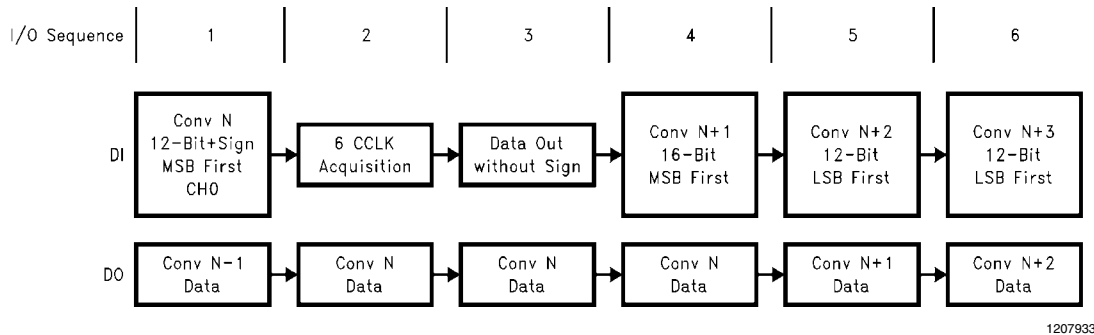
Where X can be a logic high (H) or low (L).

1.5 Power Up/Down

The ADC may be powered down by taking the PD pin HIGH or by the instruction input at DI (see Table 4 and Table 5, and

the Power Up/Down timing diagrams). When the ADC is powered down in this way, the ADC conversion circuitry is deactivated but the digital I/O circuitry is kept active.

Hardware power up/down is controlled by the state of the PD pin. Software power-up/down is controlled by the instruction issued to the ADC. If a software power up instruction is issued to the ADC while a hardware power down is in effect (PD pin high) the device will remain in the power-down state. If a software power down instruction is issued to the ADC while a hardware power up is in effect (PD pin low), the device will power down. When the device is powered down by software, it may be powered up by either issuing a software power up instruction or by taking PD pin high and then low. If the power down command is issued during a conversion, that conversion is interrupted, so the data output after power up cannot be relied upon.



1207933

FIGURE 8. Changing the ADC's Conversion Configuration

1.6 User Mode and Test Mode

An instruction may be issued to the ADC to put it into test mode, which is used by the manufacturer to verify complete functionality of the device. During test mode CH0–CH7 become active outputs. If the device is inadvertently put into the test mode with CS continuously low, the serial communications may be desynchronized. Synchronization may be regained by cycling the power supply voltage to the device. Cycling the power supply voltage will also set the device into user mode. If CS is used in the serial interface, the ADC may be queried to see what mode it is in. This is done by issuing a “read STATUS register” instruction to the ADC. When bit 9 of the status register is high, the ADC is in test mode; when bit 9 is low the ADC, is in user mode. As an alternative to cycling the power supply, an instruction sequence may be used to return the device to user mode. This instruction sequence must be issued to the ADC using CS. The following table lists the instructions required to return the device to user mode. Note that this **entire sequence**, including both Test Mode and User Mode values, should be sent to recover from the test mode.

Instruction	DI Data							
	DI0	DI1	DI2	DI3	DI4	DI5	DI6	DI7
TEST MODE	H	X	X	X	H	H	H	H
Reset Test Mode Instructions	L	L	L	L	H	H	H	L
	L	L	L	L	H	L	H	L
	L	L	L	L	H	L	H	H
USER MODE	L	L	L	L	H	H	H	H
Power Up	L	L	L	L	H	L	H	L
Set DO with or without Sign	H or L	L	L	L	H	H	L	H
Set Acquisition Time	H or L	H or L	L	L	H	H	H	L
Start a Conversion	H or L	H or L	H or L	H or L	L	H or L	H or L	H or L

X = Don't Care

The power up, data with or without sign, and acquisition time instructions should be resent after returning to the user mode. This is to ensure that the ADC is in the required state before a conversion is started.

1.7 Reading the Data Without Starting a Conversion

The data from a particular conversion may be accessed without starting a new conversion by ensuring that the $\overline{\text{CONV}}$ line is taken high during the I/O sequence. See the Read Data timing diagrams. *Table 5* describes the operation of the $\overline{\text{CONV}}$ pin. It is not necessary to read the data as soon as $\overline{\text{DOR}}$ goes low. The data will remain in the output register if $\overline{\text{CS}}$ is brought high right after $\overline{\text{DOR}}$ goes high. A single conversion may be read as many times as desired before $\overline{\text{CS}}$ is brought low.

1.8 Brown Out Conditions

When the supply voltage dips below about 2.7V, the internal registers, including the calibration coefficients and all of the other registers, may lose their contents. When this happens the ADC will not perform as expected or not at all after power

is fully restored. While writing the desired information to all registers and performing a calibration *might sometimes* cause recovery to full operation, the only sure recovery method is to reduce the supply voltage to below 0.5V, then reprogram the ADC and perform a calibration after power is fully restored.

2.0 THE ANALOG MULTIPLEXER

For the ADC12138, the analog input multiplexer can be configured with 4 differential channels or 8 single ended channels with the COM input as the zero reference or any combination thereof (see *Figure 9*). The difference between the voltages at the V_{REF^+} and V_{REF^-} pins determines the input voltage span (V_{REF}). The analog input voltage range is 0 to V_{A^+} . Negative digital output codes result when $V_{\text{IN}^-} > V_{\text{IN}^+}$. The actual voltage at V_{IN^-} or V_{IN^+} cannot go below AGND.



FIGURE 9. Input Multiplexer Options

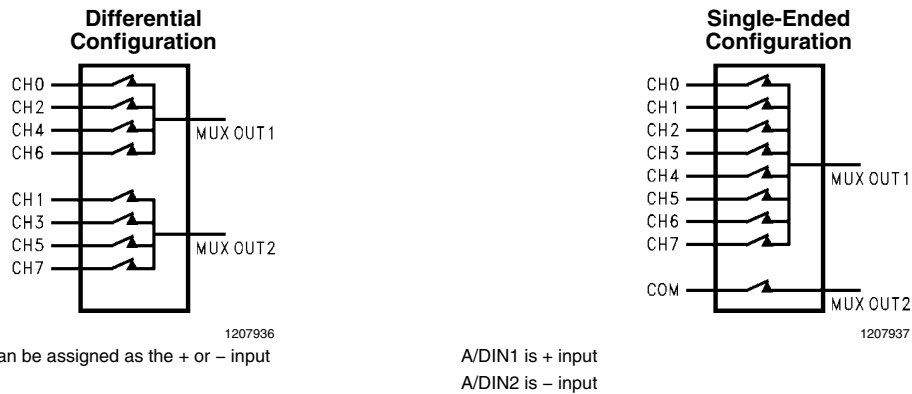


FIGURE 10. MUXOUT connections for multiplexer option

CH0, CH2, CH4, and CH6 can be assigned to the MUXOUT1 pin in the differential configuration, while CH1, CH3, CH5, and CH7 can be assigned to the MUXOUT2 pin. In the differential configuration, the analog inputs are paired as follows: CH0 with CH1, CH2 with CH3, CH4 with CH5 and CH6 with CH7. The A/DIN1 and A/DIN2 pins can be assigned positive or negative polarity.

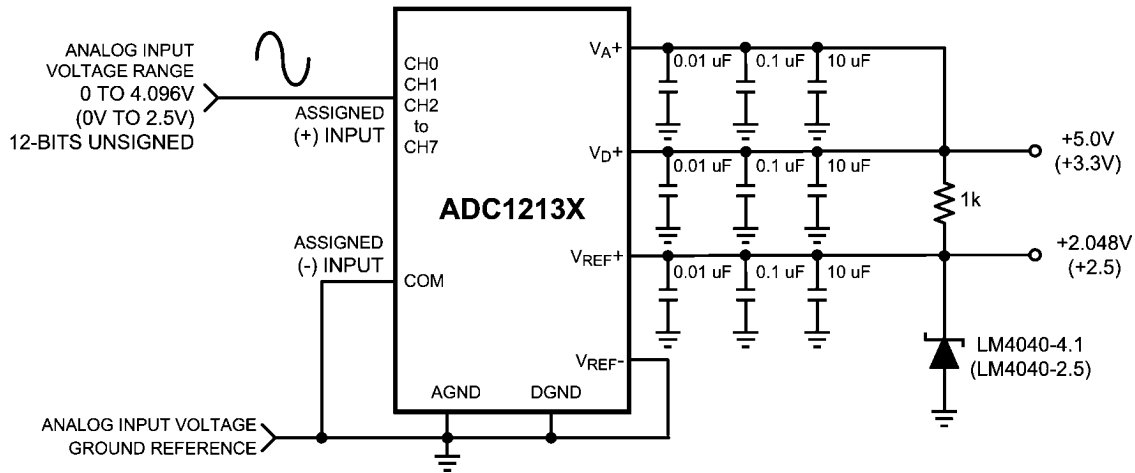
With the single-ended multiplexer configuration, CH0 through CH7 can be assigned to the MUXOUT1 pin. The COM pin is always assigned to the MUXOUT2 pin. A/DIN1 is assigned as

the positive input; A/DIN2 is assigned as the negative input. (See *Figure 10*).

The Multiplexer assignment tables for these ADCs (*Table 2* and *Table 3*) summarize the aforementioned functions for the different versions of ADCs.

2.1 Biasing for Various Multiplexer Configurations

Figure 11 is an example of device connections for single-ended operation. The sign bit is always low. The digital output range is 0 0000 0000 0000 to 0 1111 1111 1111. One LSB is equal to 1 mV (4.1V/4096 LSBs).

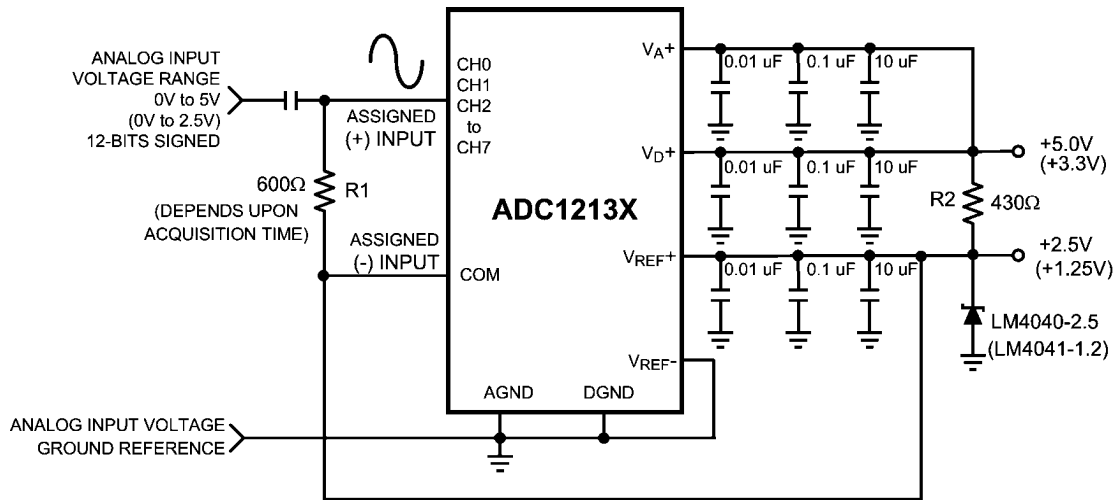


1207938

FIGURE 11. Single-Ended Biasing

For pseudo-differential signed operation, the circuit of shows a signal AC coupled to the ADC. This gives a digital output range of -4096 to $+4095$. With a 2.5V reference, 1 LSB is equal to $610 \mu\text{V}$. Although the ADC is not production tested with a 2.5V reference, when V_{A+} and V_{D+} are +5.0V, linearity error typically will not change more than 0.1 LSB (see the curves in the Typical Electrical Characteristics Section). With the ADC set to an acquisition time of 10 clock periods, the

input biasing resistor needs to be 600Ω or less. Notice though that the input coupling capacitor needs to be made fairly large to bring down the high pass corner. Increasing the acquisition time to 34 clock periods (with a 5 MHz CCLK frequency) would allow the 600Ω to increase to 6k, which would set the high pass corner at 26 Hz. Increasing R, to 6k would allow R_2 to be 2k with a $1 \mu\text{F}$ coupling capacitor.



1207939

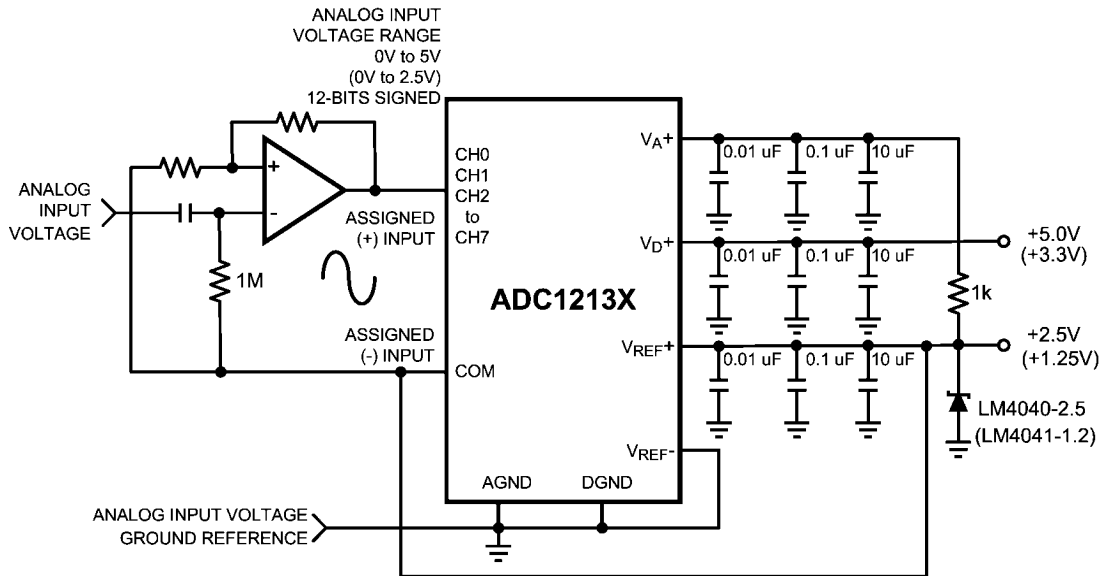
FIGURE 12. Pseudo-Differential Biasing with the Signal Source AC Coupled Directly into the ADC

An alternative method for biasing pseudo-differential operation is to use the +2.5V from the LM4040 to bias any amplifier circuits driving the ADC as shown in Figure 13. The value of the resistor pull-up biasing the LM4040-2.5 will depend upon the current required by the op amp biasing circuitry.

In the circuit of Figure 13, some voltage range is lost since the amplifier will not be able to swing to +5V and GND with a single +5V supply. Using an adjustable version of the LM4041

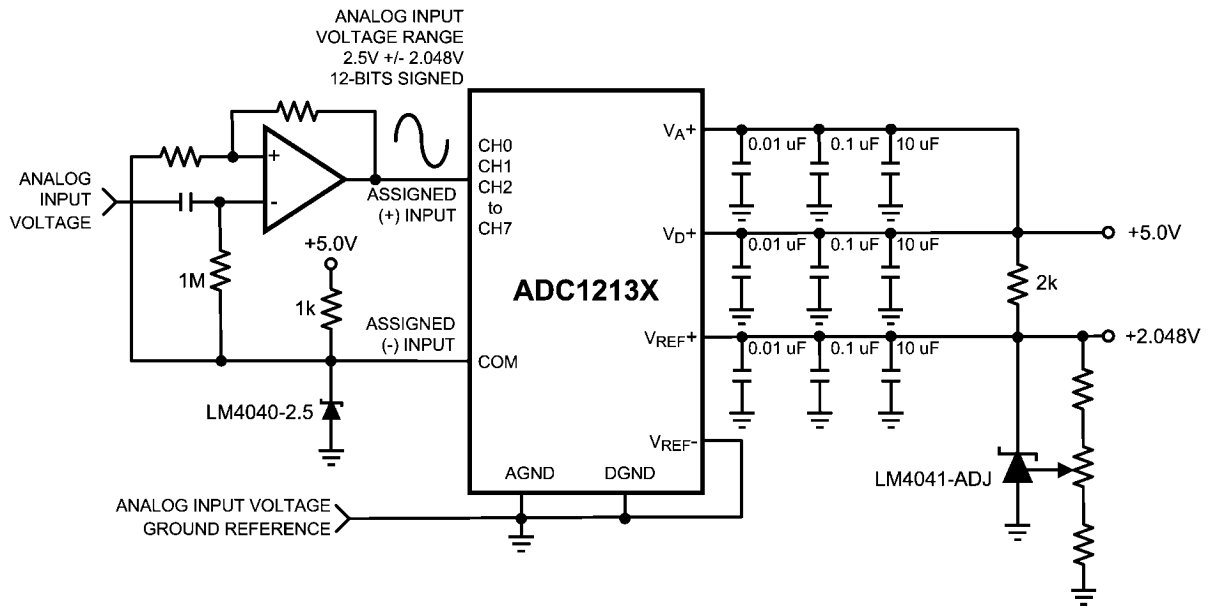
to set the full scale voltage at exactly 2.048V and a lower grade LM4040D-2.5 to bias up everything to 2.5V as shown in Figure 14 will allow the use of all the ADC's digital output range of -4096 to $+4095$ while leaving plenty of head room for the amplifier.

Fully differential operation is shown in Figure 15. One LSB for this case is equal to $(4.1\text{V}/4096) = 1 \text{ mV}$.



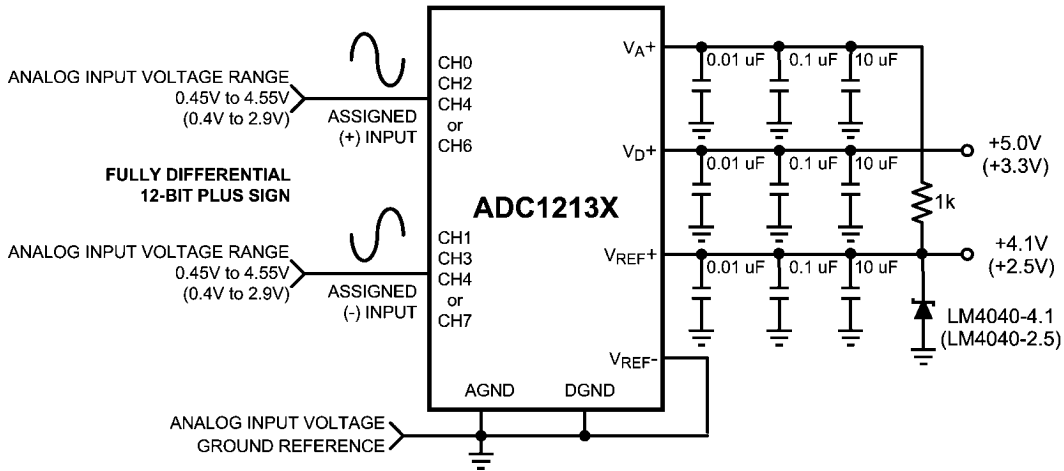
1207940

FIGURE 13. Alternative Pseudo-Differential Biasing



1207941

FIGURE 14. Pseudo-Differential Biasing without the Loss of Digital Output Range

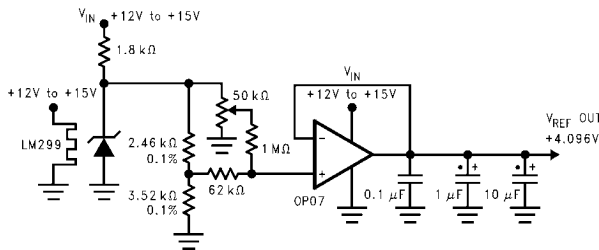


1207942

FIGURE 15. Fully Differential Biasing

3.0 REFERENCE VOLTAGE

The difference in the voltages applied to the V_{REF+} and V_{REF-} defines the analog input span (the difference between the voltage applied between two multiplexer inputs or the voltage applied to one of the multiplexer inputs and analog ground) over which 4095 positive and 4096 negative codes exist. The voltage sources driving V_{REF+} and V_{REF-} must have very low output impedance and noise. The circuit in Figure 16 is an example of a very stable reference appropriate for use with the device.



1207943

*Tantalum

FIGURE 16. Low Drift Extremely Stable Reference Circuit

The ADC12130/2/8 can be used in either ratiometric or absolute reference applications. In ratiometric systems, the analog input voltage is proportional to the voltage used for the ADC's reference voltage. When this voltage is the system power supply, the V_{REF+} pin is connected to V_{A+} and V_{REF-} is connected to ground. This technique relaxes the system reference stability requirements because the analog input voltage and the ADC reference voltage move together. This maintains the same output code for given input conditions. For absolute accuracy, where the analog input voltage varies between very specific voltage limits, a time and temperature stable voltage source can be connected to the reference inputs. Typically, the reference voltage magnitude will require an initial adjustment to null reference voltage induced full-scale errors.

Below are recommended references along with some key specifications.

Part Number	Output Voltage Tolerance	Temperature Coefficient
LM4041CI-Adj	±0.5%	±100ppm/°C
LM4040AI-4.1	±0.1%	±100ppm/°C
LM4120AI-4.1	±0.2%	±50ppm/°C
LM4121AI-4.1	±0.2%	±50ppm/°C
LM4050AI-4.1	±0.1%	±50ppm/°C
LM4030AI-4.1	±0.05%	±10ppm/°C
LM4040AI-4.1	±0.1%	±3.0ppm/°C
Circuit of Figure 16	Adjustable	±2ppm/°C

The reference voltage inputs are not fully differential. The ADC12130/2/8 will not generate correct conversions or comparisons if V_{REF+} is taken below V_{REF-} . Correct conversions result when V_{REF+} and V_{REF-} differ by 1V or more and remain at all times between ground and V_{A+} . The V_{REF} common mode range, $(V_{REF+} + V_{REF-})/2$, is restricted to $(0.1 \times V_{A+})$ to $(0.6 \times V_{A+})$. Therefore, with $V_{A+} = 5V$, the center of the reference ladder should not go below 0.5V or above 3.0V. Figure 17 is a graphic representation of the voltage restrictions on V_{REF+} and V_{REF-} .

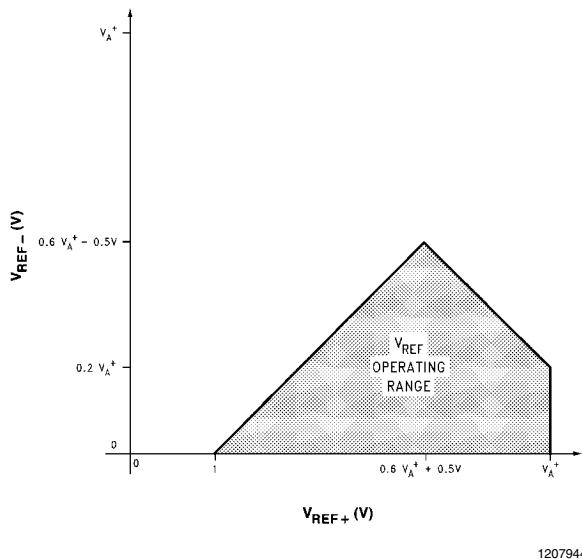


FIGURE 17. VREF Operating Range

4.0 ANALOG INPUT VOLTAGE RANGE

The ADC12130/2/8's fully differential ADC generate a two's complement output that is found by using the equation shown below:

for (12-bit) resolution the Output Code =

$$\frac{(V_{IN}^+ - V_{IN}^-) (4096)}{(V_{REF}^+ - V_{REF}^-)}$$

Round off to the nearest integer value between -4096 to 4095 if the result of the above equation is not a whole number.

Examples are shown in the table below:

VREF+	VREF-	VIN+	VIN-	Code Output Digital
+2.5V	+1V	+1.5V	0V	0,1111,1111,1111
+4.096V	0V	+3V	0V	0,1011,1011,1000
+4.096V	0V	+2.499V	+2.500V	1,1111,1111,1111
+4.096V	0V	0V	+4.096V	1,0000,0000,0000

5.0 INPUT CURRENT

At the start of the acquisition window (tA) a charging current flows into or out of the analog input pins (A/DIN1 and A/DIN2) depending upon the input voltage polarity. The analog input pins are CH0-CH7 and COM when A/DIN1 is tied to MUXOUT1 and A/DIN2 is tied to MUXOUT2. The peak value of this input current will depend upon the actual input voltage applied, the source impedance and the internal multiplexer switch on resistance. With MUXOUT1 tied to A/DIN1 and MUXOUT2 tied to A/DIN2 the internal multiplexer switch on resistance is typically 1.6 kΩ. The A/DIN1 and A/DIN2 mux on resistance is typically 750Ω.

6.0 INPUT SOURCE RESISTANCE

For low impedance voltage sources (<600Ω), the input charging current will decay, before the end of the S/H's acquisition time of 2 μs (10 CCLK periods with fCK = 5 MHz), to a value that will not introduce any conversion errors. For high source impedances, the S/H's acquisition time can be increased to 18 or 34 CCLK periods. For less ADC accuracy and/or slower CCLK frequencies the S/H's acquisition time may be de-

creased to 6 CCLK periods. To determine the number of clock periods (NC) required for the acquisition time with a specific source impedance for the various resolutions the following equations can be used:

$$12 \text{ Bit} + \text{Sign } N_C = [R_S + 2.3] \times f_{CK} \times 0.824$$

Where fCK is the conversion clock (CCLK) frequency in MHz and RS is the external source resistance in kΩ. As an example, operating with a resolution of 12 Bits + sign, a 5 MHz clock frequency and maximum acquisition time of 34 conversion clock periods the ADC's analog inputs can handle a source impedance as high as 6 kΩ. The acquisition time may also be extended to compensate for the settling or response time of external circuitry connected between the MUXOUT and A/DIN pins.

An acquisition starts at a falling edge of SCLK and ends at a rising edge of CCLK (see timing diagrams). If SCLK and CCLK are asynchronous, one extra CCLK clock period may be inserted into the programmed acquisition time for synchronization. Therefore, with asynchronous SCLK and CCLK, the acquisition time will change from conversion to conversion.

7.0 INPUT BYPASS CAPACITANCE

External capacitors (0.01 μF-0.1 μF) can be connected between the analog input pins, CH0-CH7, and analog ground to filter any noise caused by inductive pickup associated with long input leads. These capacitors will not degrade the conversion accuracy.

8.0 NOISE

The leads to each of the analog multiplexer input pins should be kept as short as possible. This will minimize input noise and clock frequency coupling that can cause conversion errors. Input filtering can be used to reduce the effects of the noise sources.

9.0 POWER SUPPLIES

Noise spikes on the VA+ and VD+ supply lines can cause conversion errors; the comparator will respond to the noise. The ADC is especially sensitive to any power supply spikes that occur during the Auto Zero or linearity correction. The minimum power supply bypassing capacitors recommended are low inductance tantalum capacitors of 10 μF or greater paralleled with 0.1 μF monolithic ceramic capacitors. More or different bypassing may be necessary depending upon the overall system requirements. Separate bypass capacitors should be used for the VA+ and VD+ supplies and placed as close as possible to these pins.

10.0 GROUNDING

The ADC12130/2/8's performance can be maximized through proper grounding techniques. These include the use of separate analog and digital areas of the board with analog and digital components and traces located only in their respective areas. Bypass capacitors of 0.01 μF and 0.1 μF surface mount capacitors and a 10 μF are recommended at each of the power supply pins for best performance. These capacitors should be located as close to the bypassed pin as practical, especially the smaller value capacitors.

11.0 CLOCK SIGNAL LINE ISOLATION

The ADC12130/2/8's performance is optimized by routing the analog input/output and reference signal conductors as far as possible from the conductors that carry the clock signals to the CCLK and SCLK pins. Maintaining a separation of at least 7 to 10 times the height of the clock trace above its reference plane is recommended.

12.0 THE CALIBRATION CYCLE

A calibration cycle needs to be started after the power supplies, reference, and clock have been given enough time to stabilize after initial turn-on. During the calibration cycle, correction values are determined for the offset voltage of the sampled data comparator and any linearity and gain errors. These values are stored in internal RAM and used during an analog-to-digital conversion to bring the overall full-scale, offset, and linearity errors down to the specified limits. Full-scale error typically changes ± 0.4 LSB over temperature and linearity error changes even less; therefore, it should be necessary to go through the calibration cycle only once after power up if the Power Supply Voltage and the ambient temperature do not change significantly (see the curves in the Typical Performance Characteristics).

13.0 THE Auto Zero CYCLE

To correct for any change in the zero (offset) error of the ADC, the Auto Zero cycle can be used. It may be desirable to do an Auto Zero cycle whenever the ambient temperature or the power supply voltage change significantly. (See the curves titled "Offset or Zero Error Change vs. Ambient Temperature" and "Offset or Zero Error Change vs. Supply Voltage" in the Typical Performance Characteristics.)

14.0 DYNAMIC PERFORMANCE

Many applications require the converter to digitize AC signals, but the standard DC integral and differential nonlinearity specifications will not accurately predict the converter's performance with AC input signals. The important specifications for AC applications reflect the converter's ability to digitize AC signals without significant spectral errors and without adding noise to the digitized signal. Dynamic characteristics such as signal-to-noise (S/N), signal-to-noise + distortion ratio or S/(N + D), effective bits, full power bandwidth, aperture time and aperture jitter are quantitative measures of the converter's capability.

An ADC's AC performance can be measured using Fast Fourier Transform (FFT) methods. A sinusoidal waveform is applied to the ADC's input, and the transform is then performed on the digitized waveform. S/(N + D) and S/N are calculated from the resulting FFT data, and a spectral plot may also be obtained. Typical values for S/N are shown in the table of Electrical Characteristics, and spectral plots of S/(N + D) are included in the typical performance curves.

The ADC's noise and distortion levels will change with the frequency of the input signal, with more distortion and noise occurring at higher signal frequencies. This can be seen in the S/(N + D) versus frequency curves. These curves will also give an indication of the full power bandwidth (the frequency at which the S/(N + D) or S/N drops 3 dB).

Effective number of bits can also be useful in describing the ADC's noise and distortion performance. An ideal ADC will have some amount of quantization noise, determined by its resolution, and no distortion, which will yield an optimum S/(N + D) ratio given by the following equation:

$$S/(N + D) = (6.02 \times n + 1.76) \text{ dB}$$

where "n" is the ADC's resolution in bits.

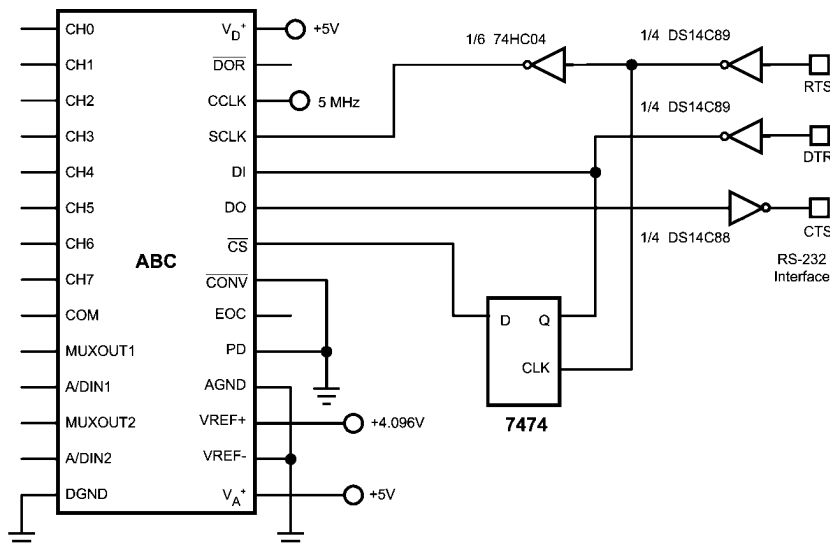
The effective bits of an actual ADC can be found by:

$$n(\text{effective}) = \text{ENOB} = (S/(N + D) - 1.76) / 6.02$$

As an example, this device with a differential signed 5V, 1 kHz sine wave input signal will typically have a S/(N + D) of 77 dB, which is equivalent to 12.5 effective bits.

15.0 AN RS232 SERIAL INTERFACE

Shown on the following page is a schematic for an RS232 interface to any IBM and compatible PCs. The DTR, RTS, and CTS RS232 signal lines are buffered via level translators and connected to the ADC12138's DI, SCLK, and DO pins, respectively. The D flip-flop is used to generate the CS signal.



1207946

Note: V_{A+} , V_{D+} , and V_{REF+} on the ADC12138 each have 0.01 μF and 0.1 μF chip caps, and 10 μF tantalum caps. All logic devices are bypassed with 0.1 μF caps. The assignment of the RS232 port is shown below

			B7	B6	B5	B4	B3	B2	B1	B0
COM1	Input Address	3FE	X	X	X	CTS	X	X	X	X
	Output Address	3FC	X	X	X	0	X	X	RTS	DTR

A sample program, written in Microsoft QuickBasic, is shown on the next page. The program prompts for data mode select instruction to be sent to the ADC. This can be found from the Mode Programming table shown earlier. The data should be entered in "1"s and "0"s as shown in the table with DI0 first. Next, the program prompts for the number of SCLK cycles required for the programmed mode select instruction. For instance, to send all "0"s to the ADC, selects CH0 as the +input, CH1 as the -input, 12-bit conversion, and 13-bit MSB first data output format (if the sign bit was not turned off by a previous instruction). This would require 13 SCLK periods since the output data format is 13 bits.

The ADC powers up with No Auto Cal, No Auto Zero, 10 CCLK Acquisition Time, 12-bit conversion, data out with sign,

power up, 12- or 13-bit MSB First, and user mode. Auto Cal, Auto Zero, Power Up and Power Down instructions do not change these default settings. The following power up sequence should be followed:

1. Run the program
2. Prior to responding to the prompt apply the power to the ADC12138
3. Respond to the program prompts

It is recommended that the first instruction issued to the ADC12138 be Auto Cal (See *Section 1.1 Interface Concepts*).

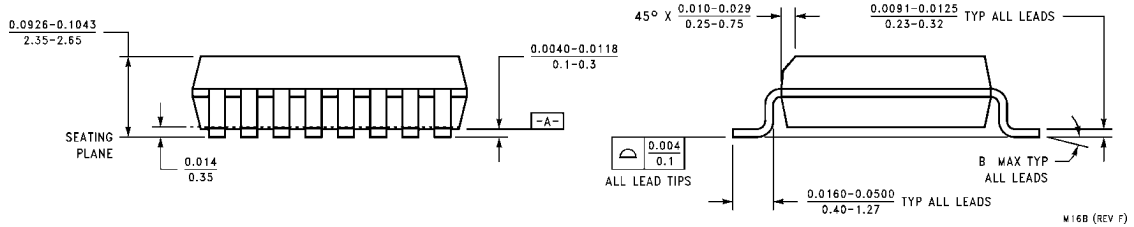
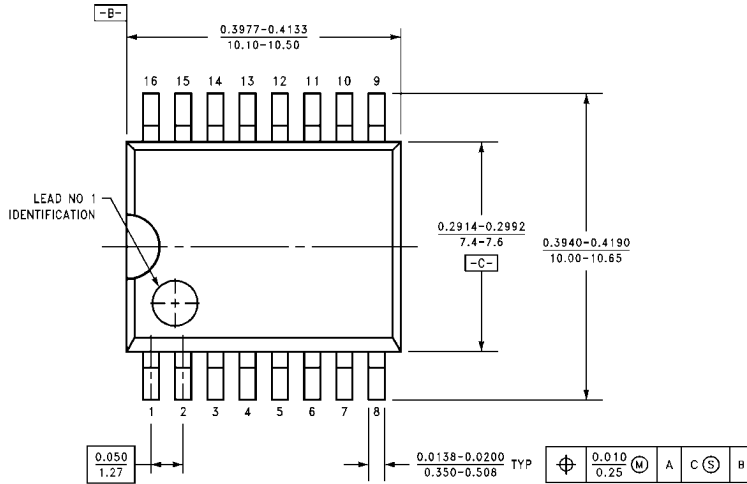
Code Listing:

```

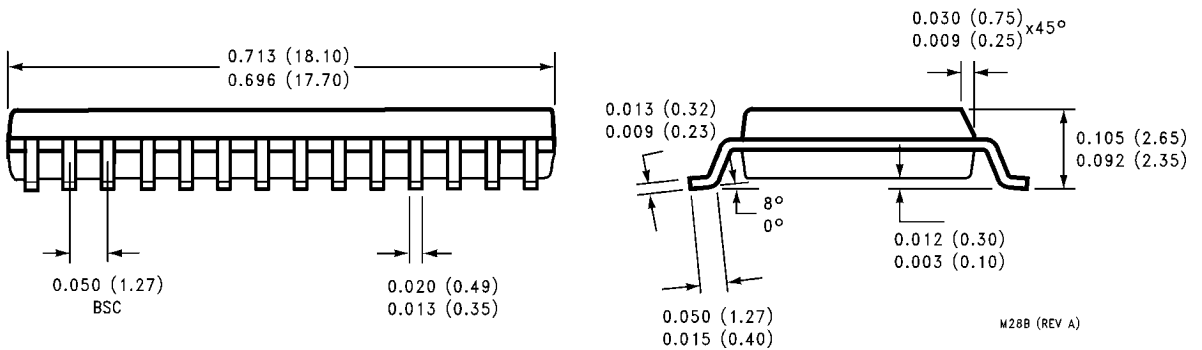
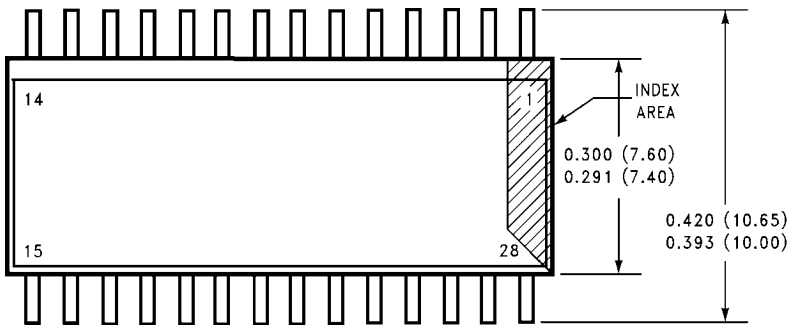
'variables DOL=Data Out word length, DI=Data string for the DI input,
'
      DO=ADC result string
'SET CS# HIGH
OUT &H3FC, (&H2 OR INP (&H3FC))          'set RTS HIGH
OUT &H3FC, (&HFE AND INP(&H3FC))        'SET DTR LOW
OUT &H3FC, (&HFD AND INP (&H3FC))      'SET RTS LOW
OUT &H3FC, (&HEF AND INP(&H3FC))        'set B4 low
10
LINE INPUT "DI data for ADC12138 (see Mode Table on data sheet)"; DI$
INPUT "ADC12138 output word length (12,13,16 or 17)"; DOL
20
'SET CS# HIGH
OUT &H3FC, (&H2 OR INP (&H3FC))          'set RTS HIGH
OUT &H3FC, (&HFE AND INP(&H3FC))        'SET DTR LOW
OUT &H3FC, (&HFD AND INP (&H3FC))      'SET RTS LOW
'SET CS# LOW
OUT &H3FC, (&H2 OR INP (&H3FC))          'set RTS HIGH
OUT &H3FC, (&H1 OR INP(&H3FC))          'SET DTR HIGH
OUT &H3FC, (&HFD AND INP (&H3FC))      'SET RTS LOW
DO$=" "                                     'reset DO variable
      OUT &H3FC, (&H1 OR INP(&H3FC))      'SET DTR HIGH
      OUT &H3FC, (&HFD AND INP(&H3FC))    'SCLK low
FOR N = 1 TO 8
  Temp$ = MID$(DI$, N, 1)
  IF Temp$="0" THEN
    OUT &H3FC, (&H1 OR INP(&H3FC))
  ELSE OUT &H3FC, (&HFE AND INP(&H3FC))
  END IF
  OUT &H3FC, (&H2 OR INP(&H3FC))          'out DI
  IF (INP(&H3FE) AND 16) = 16 THEN
    DO$ = DO$ + "0"
  ELSE
    DO$ = DO$ + "1"
  END IF
  OUT &H3FC, (&H1 OR INP(&H3FC))          'Input DO
  OUT &H3FC, (&H1 OR INP(&H3FC))          'SET DTR HIGH
  OUT &H3FC, (&HFD AND INP(&H3FC))      'SCLK low
NEXT N
IF DOL > 8 THEN
  FOR N=9 TO DOL
    OUT &H3FC, (&H1 OR INP(&H3FC))          'SET DTR HIGH
    OUT &H3FC, (&HFD AND INP(&H3FC))      'SCLK low
    OUT &H3FC, (&H2 OR INP(&H3FC))          'SCLK high
    IF (INP(&H3FE) AND &H10) = &H10 THEN
      DO$ = DO$ + "0"
    ELSE
      DO$ = DO$ + "1"
    END IF
  NEXT N
END IF
OUT &H3FC, (&HFA AND INP(&H3FC))          'SCLK low and DI high
FOR N = 1 TO 500
NEXT N
PRINT DO$
INPUT "Enter "C" to convert else "RETURN" to alter DI data"; s$
IF s$ = "C" OR s$ = "c" THEN
GOTO 20
ELSE
GOTO 10
END IF
END

```

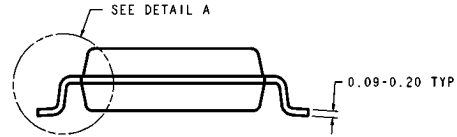
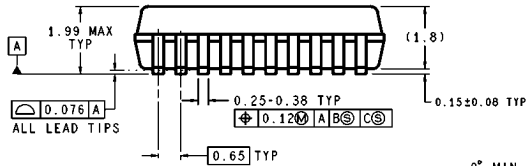
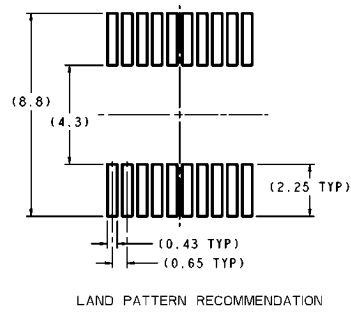
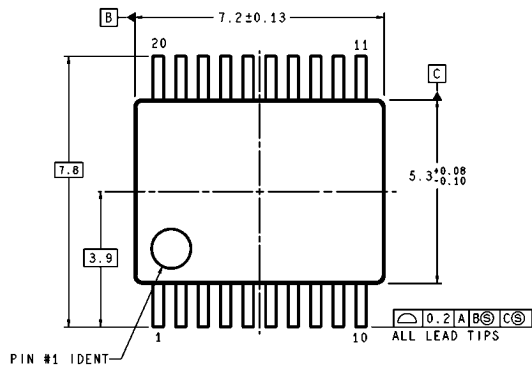
Physical Dimensions inches (millimeters) unless otherwise noted



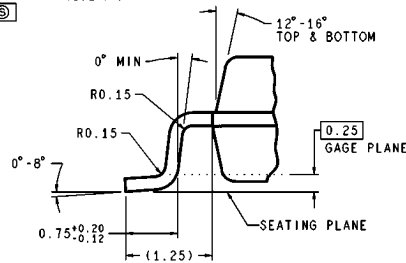
Order Number ADC12130CIWM
NS Package Number M16B



Order Number ADC12138CIWM
NS Package Number M28B



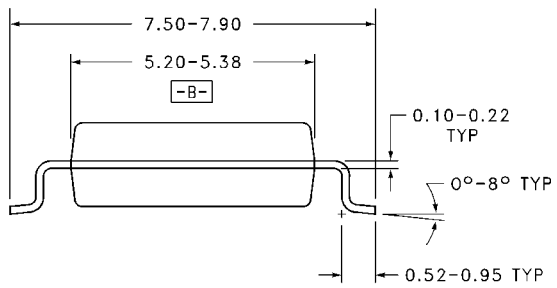
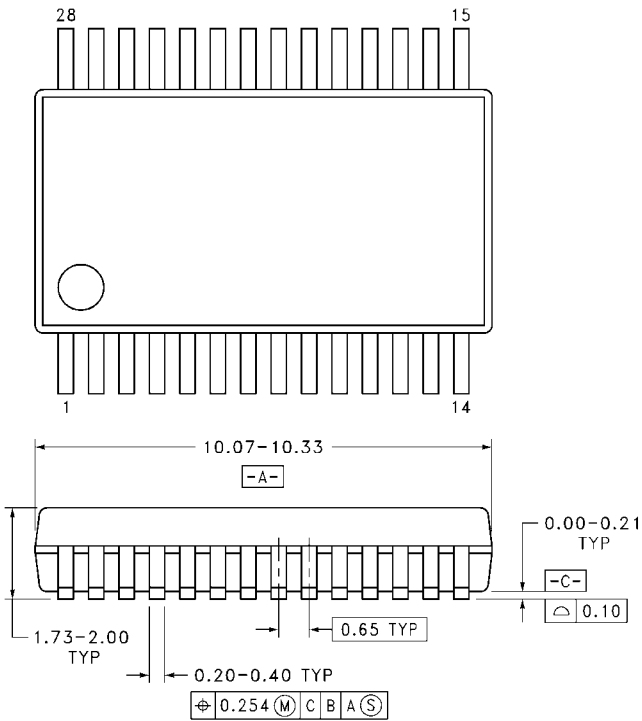
DIMENSIONS ARE IN MILLIMETERS



DETAIL A
TYP. SCALE: 30X

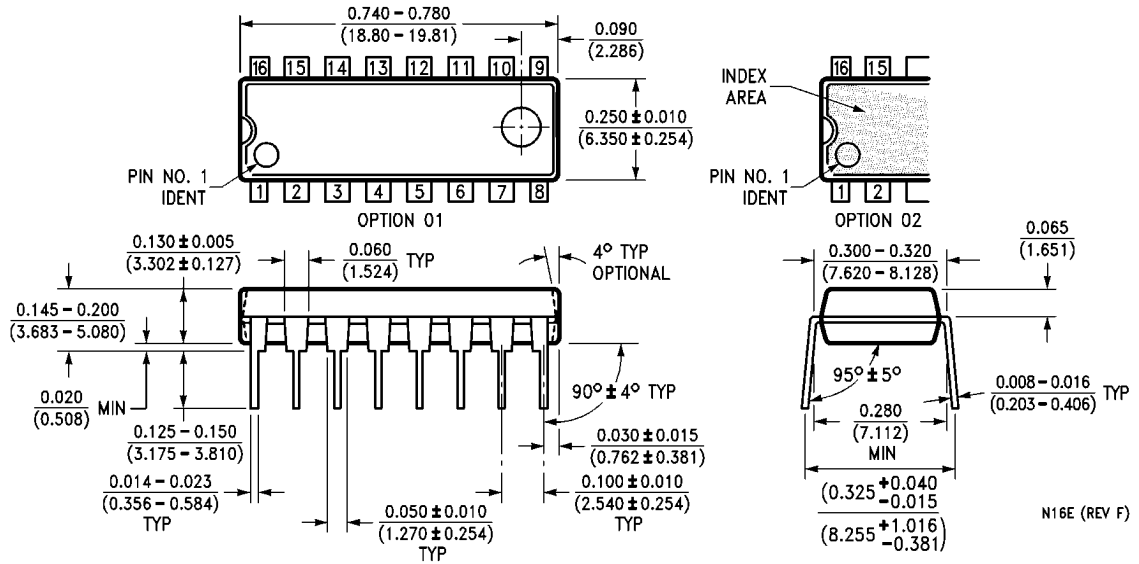
MSA20 (Rev B)

Order Number ADC12132CIMS A
NS Package Number MSA20

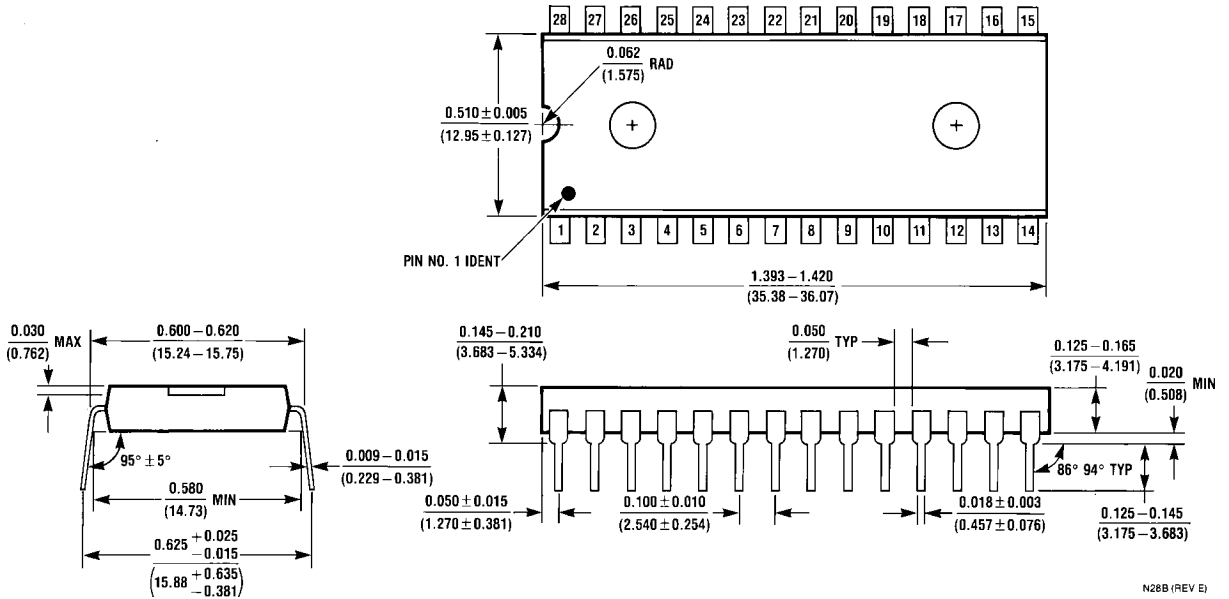


MSA28 (REV A)

Order Number ADC12138CIMS A
NS Package Number MSA28



Order Number ADC12130CIN
NS Package Number N16E



Order Number ADC12138CIN
NS Package Number N28B

Notes

Notes

For more National Semiconductor product information and proven design tools, visit the following Web sites at:

Products		Design Support	
Amplifiers	www.national.com/amplifiers	WEBENCH	www.national.com/webench
Audio	www.national.com/audio	Analog University	www.national.com/AU
Clock Conditioners	www.national.com/timing	App Notes	www.national.com/appnotes
Data Converters	www.national.com/adc	Distributors	www.national.com/contacts
Displays	www.national.com/displays	Green Compliance	www.national.com/quality/green
Ethernet	www.national.com/ethernet	Packaging	www.national.com/packaging
Interface	www.national.com/interface	Quality and Reliability	www.national.com/quality
LVDS	www.national.com/lvds	Reference Designs	www.national.com/refdesigns
Power Management	www.national.com/power	Feedback	www.national.com/feedback
Switching Regulators	www.national.com/switchers		
LDOs	www.national.com/lido		
LED Lighting	www.national.com/led		
PowerWise	www.national.com/powerwise		
Serial Digital Interface (SDI)	www.national.com/sdi		
Temperature Sensors	www.national.com/tempsensors		
Wireless (PLL/VCO)	www.national.com/wireless		

THE CONTENTS OF THIS DOCUMENT ARE PROVIDED IN CONNECTION WITH NATIONAL SEMICONDUCTOR CORPORATION ("NATIONAL") PRODUCTS. NATIONAL MAKES NO REPRESENTATIONS OR WARRANTIES WITH RESPECT TO THE ACCURACY OR COMPLETENESS OF THE CONTENTS OF THIS PUBLICATION AND RESERVES THE RIGHT TO MAKE CHANGES TO SPECIFICATIONS AND PRODUCT DESCRIPTIONS AT ANY TIME WITHOUT NOTICE. NO LICENSE, WHETHER EXPRESS, IMPLIED, ARISING BY ESTOPPEL OR OTHERWISE, TO ANY INTELLECTUAL PROPERTY RIGHTS IS GRANTED BY THIS DOCUMENT.

TESTING AND OTHER QUALITY CONTROLS ARE USED TO THE EXTENT NATIONAL DEEMS NECESSARY TO SUPPORT NATIONAL'S PRODUCT WARRANTY. EXCEPT WHERE MANDATED BY GOVERNMENT REQUIREMENTS, TESTING OF ALL PARAMETERS OF EACH PRODUCT IS NOT NECESSARILY PERFORMED. NATIONAL ASSUMES NO LIABILITY FOR APPLICATIONS ASSISTANCE OR BUYER PRODUCT DESIGN. BUYERS ARE RESPONSIBLE FOR THEIR PRODUCTS AND APPLICATIONS USING NATIONAL COMPONENTS. PRIOR TO USING OR DISTRIBUTING ANY PRODUCTS THAT INCLUDE NATIONAL COMPONENTS, BUYERS SHOULD PROVIDE ADEQUATE DESIGN, TESTING AND OPERATING SAFEGUARDS.

EXCEPT AS PROVIDED IN NATIONAL'S TERMS AND CONDITIONS OF SALE FOR SUCH PRODUCTS, NATIONAL ASSUMES NO LIABILITY WHATSOEVER, AND NATIONAL DISCLAIMS ANY EXPRESS OR IMPLIED WARRANTY RELATING TO THE SALE AND/OR USE OF NATIONAL PRODUCTS INCLUDING LIABILITY OR WARRANTIES RELATING TO FITNESS FOR A PARTICULAR PURPOSE, MERCHANTABILITY, OR INFRINGEMENT OF ANY PATENT, COPYRIGHT OR OTHER INTELLECTUAL PROPERTY RIGHT.

LIFE SUPPORT POLICY

NATIONAL'S PRODUCTS ARE NOT AUTHORIZED FOR USE AS CRITICAL COMPONENTS IN LIFE SUPPORT DEVICES OR SYSTEMS WITHOUT THE EXPRESS PRIOR WRITTEN APPROVAL OF THE CHIEF EXECUTIVE OFFICER AND GENERAL COUNSEL OF NATIONAL SEMICONDUCTOR CORPORATION. As used herein:

Life support devices or systems are devices which (a) are intended for surgical implant into the body, or (b) support or sustain life and whose failure to perform when properly used in accordance with instructions for use provided in the labeling can be reasonably expected to result in a significant injury to the user. A critical component is any component in a life support device or system whose failure to perform can be reasonably expected to cause the failure of the life support device or system or to affect its safety or effectiveness.

National Semiconductor and the National Semiconductor logo are registered trademarks of National Semiconductor Corporation. All other brand or product names may be trademarks or registered trademarks of their respective holders.

Copyright© 2008 National Semiconductor Corporation

For the most current product information visit us at www.national.com



National Semiconductor Americas Technical Support Center
 Email: support@nsc.com
 Tel: 1-800-272-9959

National Semiconductor Europe Technical Support Center
 Email: europe.support@nsc.com
 German Tel: +49 (0) 180 5010 771
 English Tel: +44 (0) 870 850 4288

National Semiconductor Asia Pacific Technical Support Center
 Email: ap.support@nsc.com

National Semiconductor Japan Technical Support Center
 Email: jpn.feedback@nsc.com